

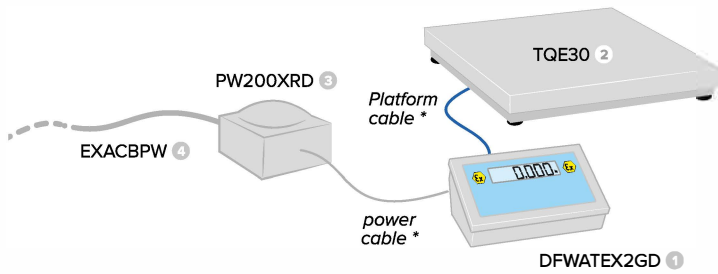
2 GD ATEX SCALES Guide



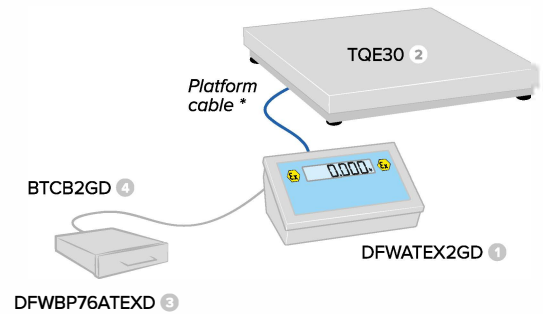


EX 2GD | Bench scales

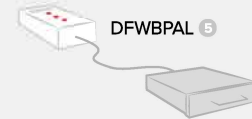
MAINS VERSION



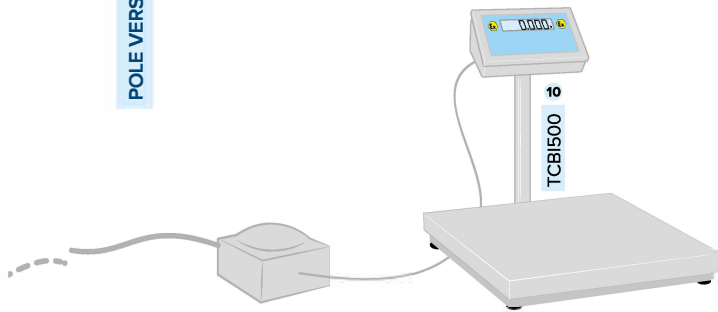
BATTERY VERSION



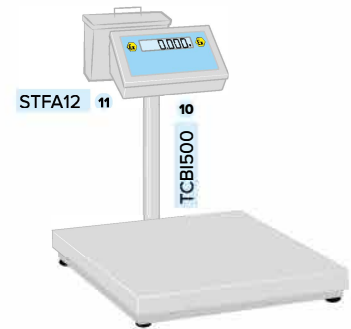
BATTERY CHARGE IN SAFETY AREA ONLY.



POLE VERSION



POLE VERSION



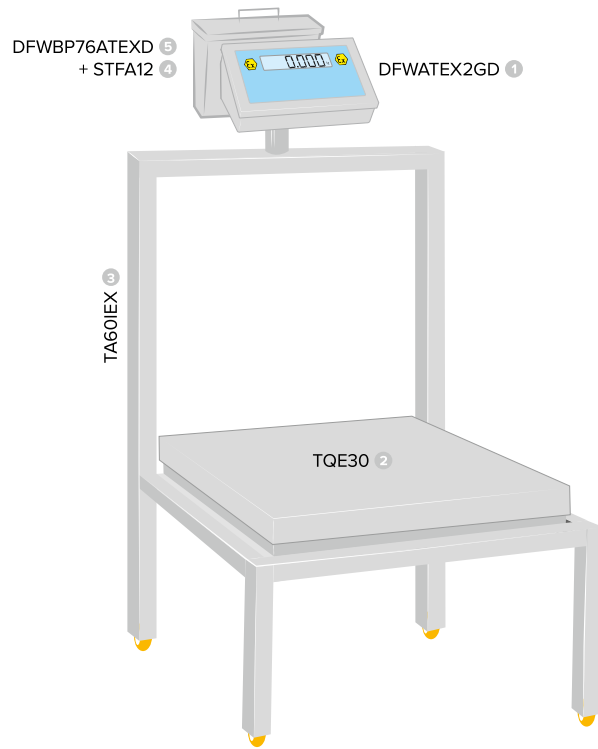
	CODE (example)	QTY
1	DFWATEX2GD	1
2	TQE30	1
3	PW200XRD	1
4	EXACBPW	n
5	CCATEX	1
6	DCATEX2GD	1
7	DINICAL	1
8	ECEM **	1
9	S6	1
POLE VERSION		
10	TCBI500	1

	CODE (example)	QTY
1	DFWATEX2GD	1
2	TQE30	1
3	DFWBP76ATEXD	1
4	BTCB2GD	1
5	DFWBPAL	1
6	CCATEX	1
7	DCATEX2GD	1
8	DINICAL	1
9	ECEM**	1
POLE VERSION		
10	TCBI500	1
11	STFA12	1

* These cables are provided as standard ** Only for legal for trade approved version



EX 2GD | Bench scales mobile version



	CODE (example)	QTY
1	DFWATEX2GD	1
2	TQE30	1
3	TA60IEX	1
4	STFA12	1
5	DFWBP76ATEXD	1
6	BTCB2GD	1
7	DFWBPAL	1
8	CCATEX	1
9	DCATEX2GD/DCATEX2GDB*	1
10	DINICAL	1
11	ECEM**	1

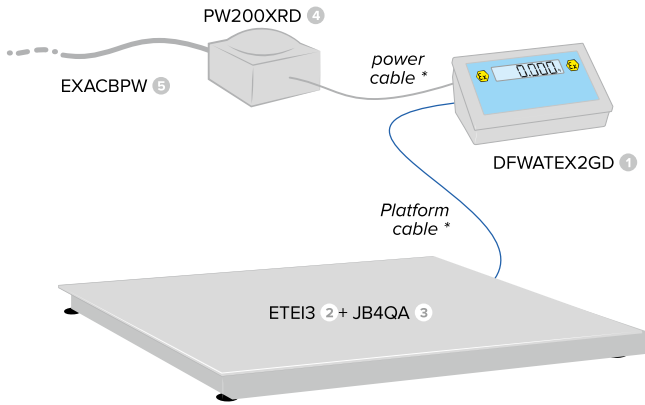
* For a IIC cart is required a DCATEX2GD, for a IIB cart is required DCATEX2GDB

** Only for legal for trade approved version

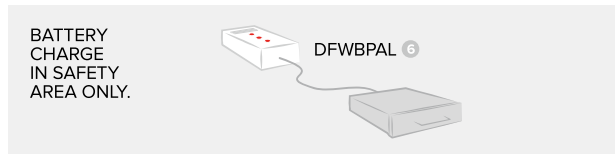
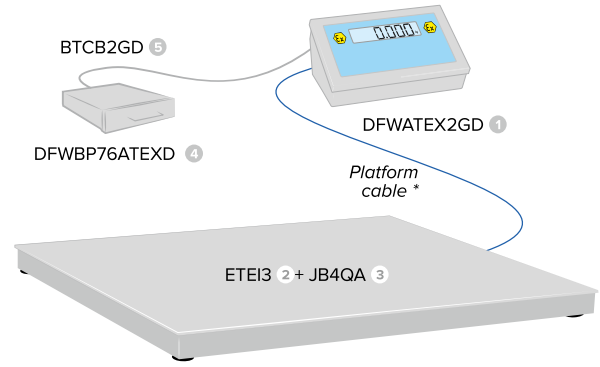


EX 2GD | Floor Scales

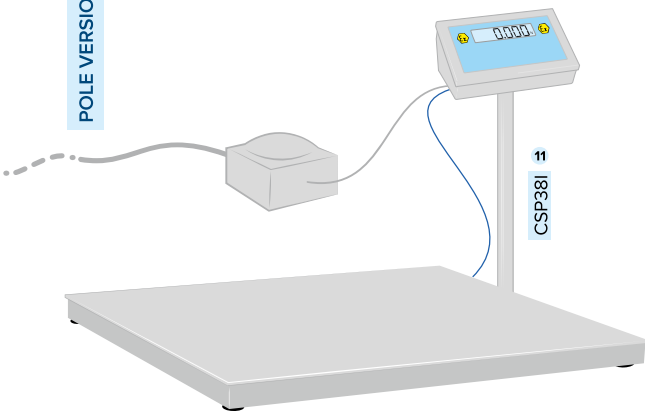
MAINS VERSION



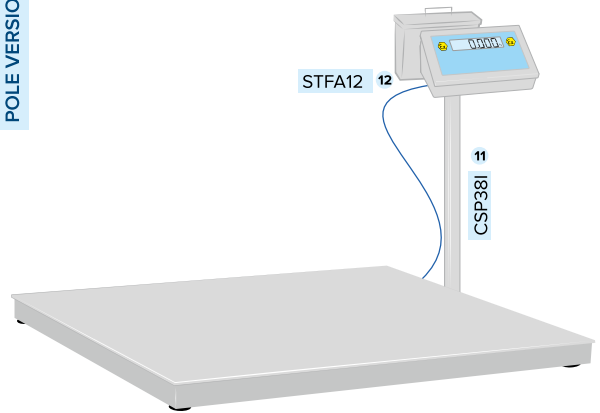
BATTERY VERSION



POLE VERSION



POLE VERSION



	CODE (example)	QTY
1	DFWATEX2GD	1
2	ETEI3	1
3	JB4QA	1
4	PW200XRD	1
5	EXACBPW	n
6	CCATEX	4
7	DCATEX2GD	1
8	DINICAL	1
9	ECEM**	1
10	S6	1

POLE VERSION		
11	CSP38I	1

	CODE (example)	QTY
1	DFWATEX2GD	1
2	ETEI3	1
3	JB4QA	1
4	DFWBP76ATEXD	1
5	BTCB2GD	1
6	DFWBPAL	1
7	CCATEX	4
8	DCATEX2GD	1
9	DINICAL	1
10	ECEM**	1

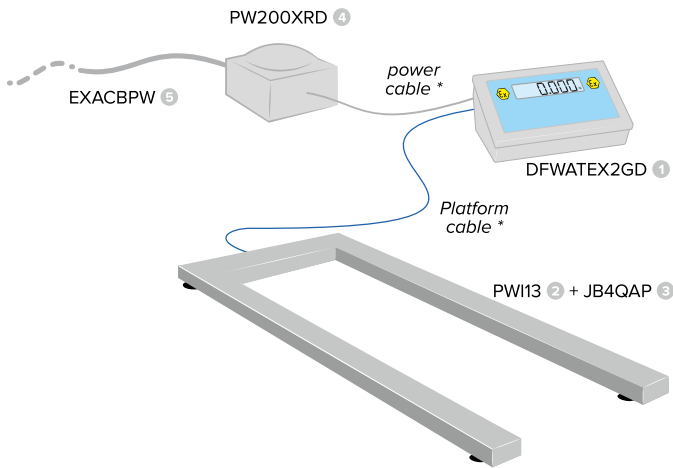
POLE VERSION		
11	CSP38I	1
12	STFA12	1

* These cables are provided as standard ** Only for legal for trade approved version

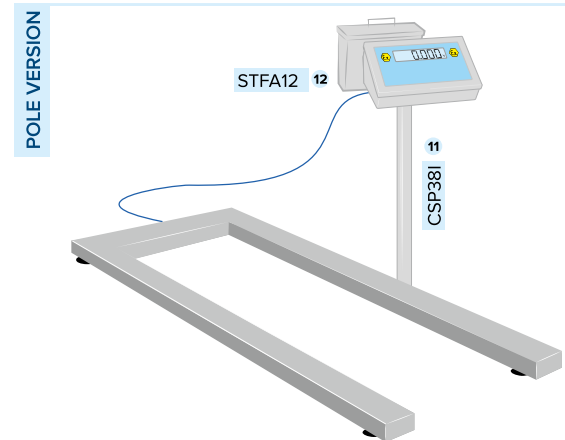
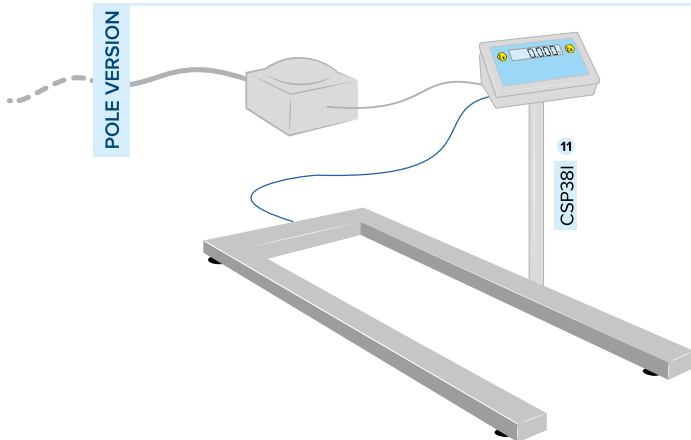
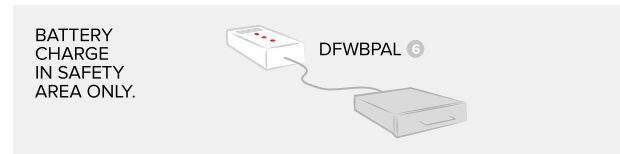
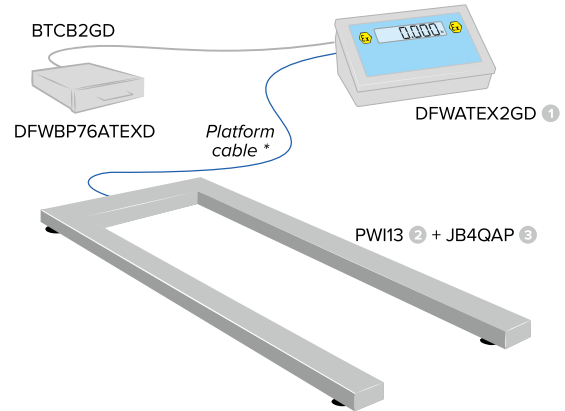


EX 2GD | Pallet Weigher

MAINS VERSION



BATTERY VERSION



	CODE (example)	QTY
1	DFWATEX2GD	1
2	PWI3	1
3	JB4QAP	1
4	PW200XRD	1
5	EXACBPW	n
6	CCATEX	4
7	DCATEX2GDIIB	1
8	DINICAL	1
9	ECEM**	1
10	S6	1

POLE VERSION		
11	CSP381	1

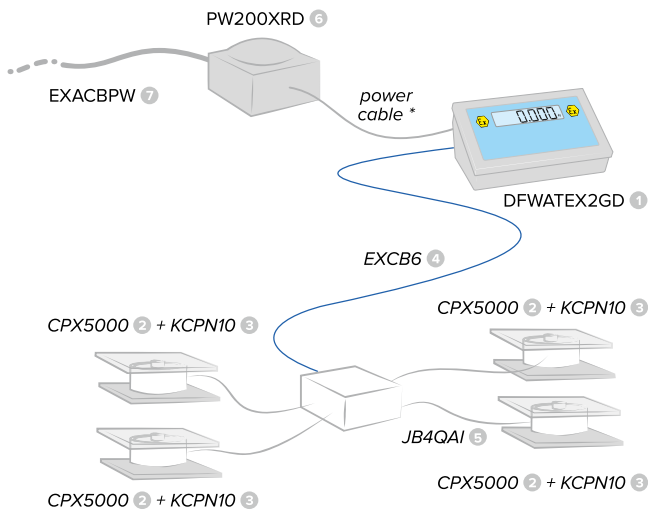
	CODE (example)	QTY
1	DFWATEX2GD	1
2	PWI3	1
3	JB4QAP	1
4	DFWBP76ATEXD	1
5	BTCB2GD	1
6	DFWBPAL	1
7	CCATEX	4
8	DCATEX2GDIIB	1
9	DINICAL	1
10	ECEM**	1

POLE VERSION		
11	CSP381	1
12	STFA12	1

* These cables are provided as standard ** Only for legal for trade approved version

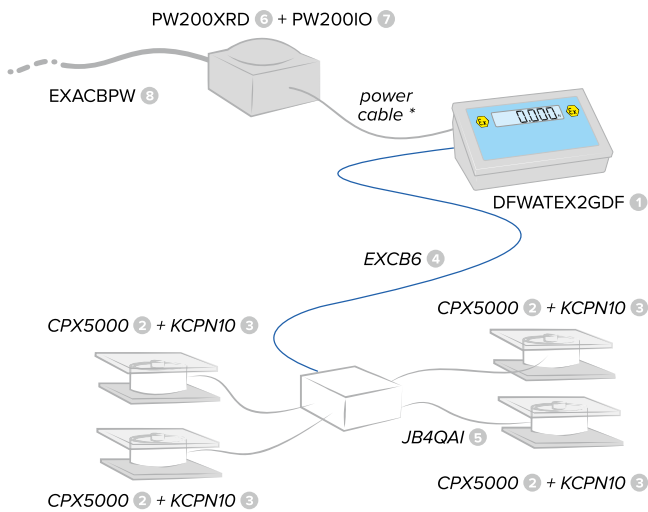


EX 2GD | Silos weighing



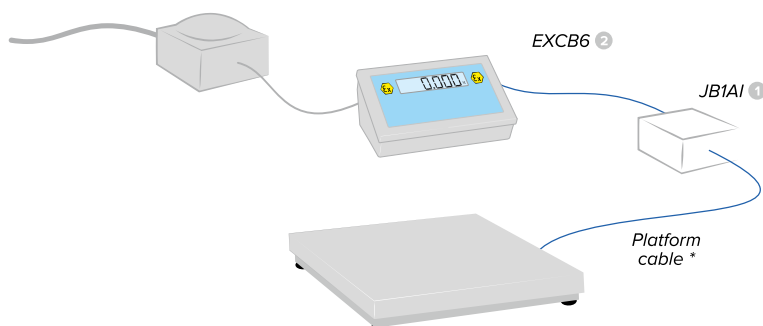
CODE (example)	QTY
1 DFWAREX2GD	1
2 CPX5000	4
3 KCPN10	4
4 EXCB6	n
5 JB4QAI	1
6 PW200XRD	1
7 EXACBPW	n
8 CCATEX	4
9 DCATEX2GD	1
10 S6	2

EX 2GD | Silos batching



CODE (example)	QTY
1 DFWAREX2GDF	1
2 CPX5000	4
3 KCPN10	4
4 EXCB6	n
5 JB4QAI	1
6 PW200XRD	1
7 PW200IO	1
8 EXACBPW	n
9 CCATEX	4
10 DCATEX2GD	1
11 S6	2

EX 2GD | Cable extension

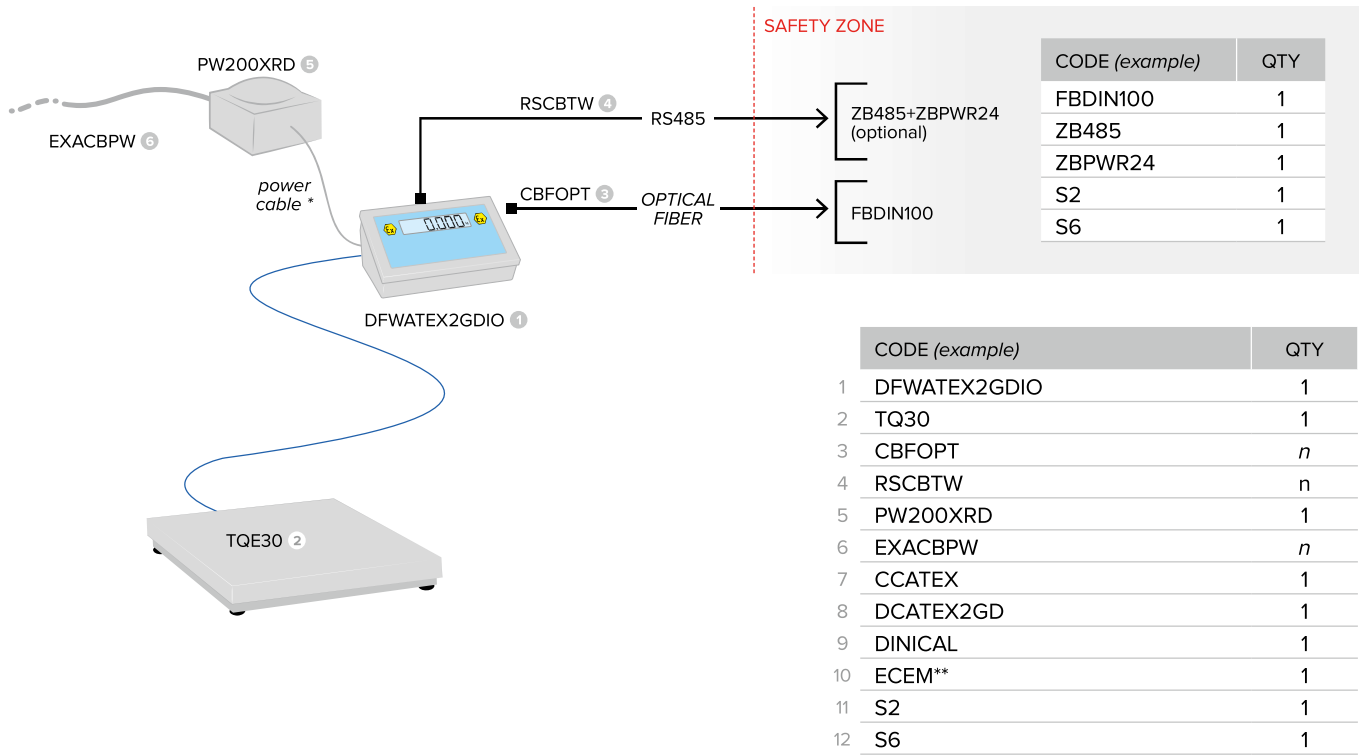


CODE (example)	QTY
1 JB1AI	1
2 EXCB6	n
3 S6	

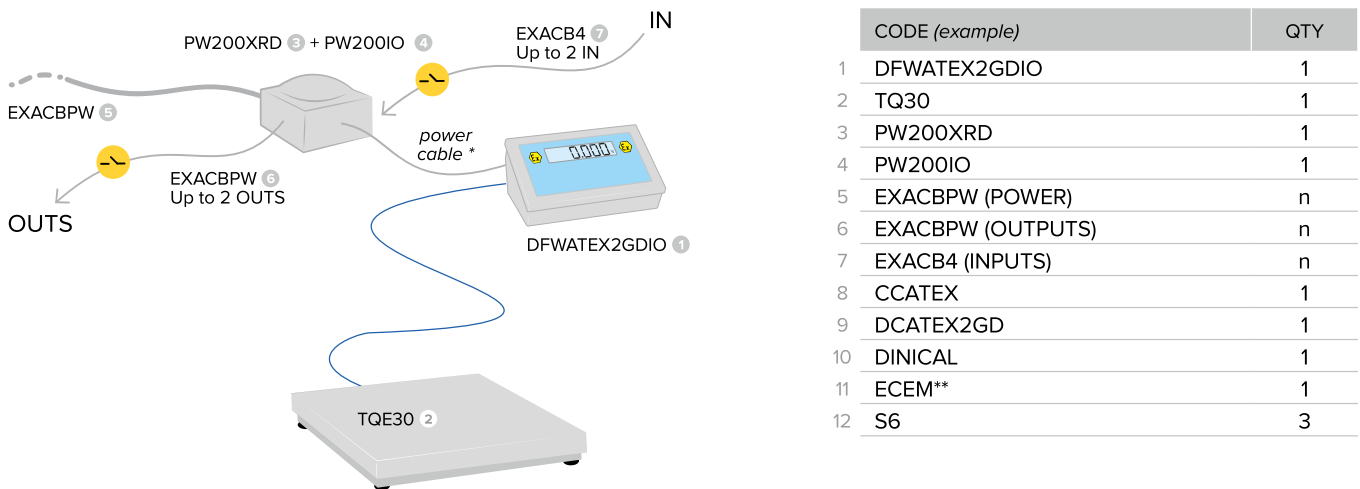
* These cables are provided as standard ** Only for legal for trade approved version



EX 2GD | Optical fiber communication



EX 2GD | 2 Inputs / 2 Outputs





“YOUR WORLDWIDE PARTNER FOR WEIGHING”

**DINI ARGEO
FRANCE sarl**
Nogent-sur-Marne - France
info.fr@diniargeo.com

**DINI ARGEO
GMBH**
Sinsheim - Germany
info.de@diniargeo.com

**DINI ARGEO
UK Ltd**
Taunton - United Kingdom
info.uk@diniargeo.com

**DINI ARGEO WEIGHING
INSTRUMENTS Ltd**
Shanghai - China
info.cn@diniargeo.com

**DINI ARGEO
WEIGHBRIDGES**
Caltro (RO) - Italy
info@diniargeo.com



HEAD OFFICE

Via Della Fisica, 20
41042 Spezzano di Fiorano Modena - Italy
Tel. +39.0536 843418 Fax. +39.0536 843521
info@diniargeo.com

SERVICE ASSISTANCE

Via Dell'Elettronica, 15
41042 Spezzano di Fiorano Modena - Italy
Tel. +39.0536 921784 Fax. +39.0536 926654
service@diniargeo.com

SALES AND TECHNICAL ASSISTANCE SERVICE