

OCS-T

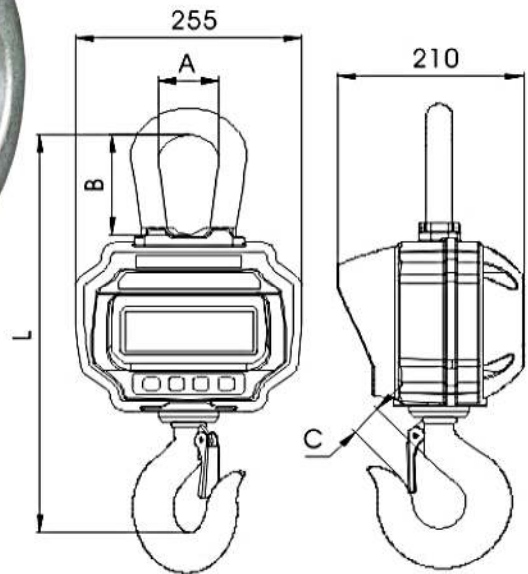
FEATURES

- ▶ High-strength Load Receptor
 - ▶ 35mm/1.4" Ultra-bright Led Display Module
 - ▶ High Quality Alloy Steel Loadcell
 - ▶ Aluminum Die-casting Housing
 - ▶ 360° Rotatable Hook
 - ▶ Infrared Remote Controlling
- Capacity: 1t~5t



Capacity & Resolution				
Modal	Max. Cap	Min. Cap	E	N
OCS-1-T	1,000kg	10kg	0.5kg	2,000
OCS-2-T	2,000kg	20kg	1kg	2,000
OCS-3-T	3,000kg	20kg	1kg	3,000
OCS-5-T	5,000kg	40kg	2kg	2,500

SPECIFICATION	
ACCURACY CLASS	GB/T 11883-2002 III, eqv. OIML R76
TARE RANGE	100%F.S.
ZERO RANGE	±4%F.S.
SAFE OVERLOAD	125%F.S.
ULTIMATE OVERLOAD	400%F.S.
OVERLOAD ALARM	100%F.S.+9e
BATTERY	6V/4.0Ah
ADAPTERINPUT	100~220VAC 50/60Hz, Output: 7.2VDC/1000mA
BATTERY LIFE	≥60h
OP. TEMP	-10°C~+40°C
OP. HUMIDITY	20°C ≤90%



Dimension & Weight					
Modal	A	B	C	L	N.W.
OCS-1-T	68mm	112mm	40mm	420mm	11.0kg
OCS-2-T	68mm	112mm	40mm	420mm	11.0kg
OCS-3-T	68mm	112mm	40mm	420mm	11.0kg
OCS-5-T	68mm	112mm	45mm	450mm	12.5kg

Any difference subject to the actual dimension.