

Datasheet RD

Remote Display

VETEK

Scandinavia's largest webshop for scales

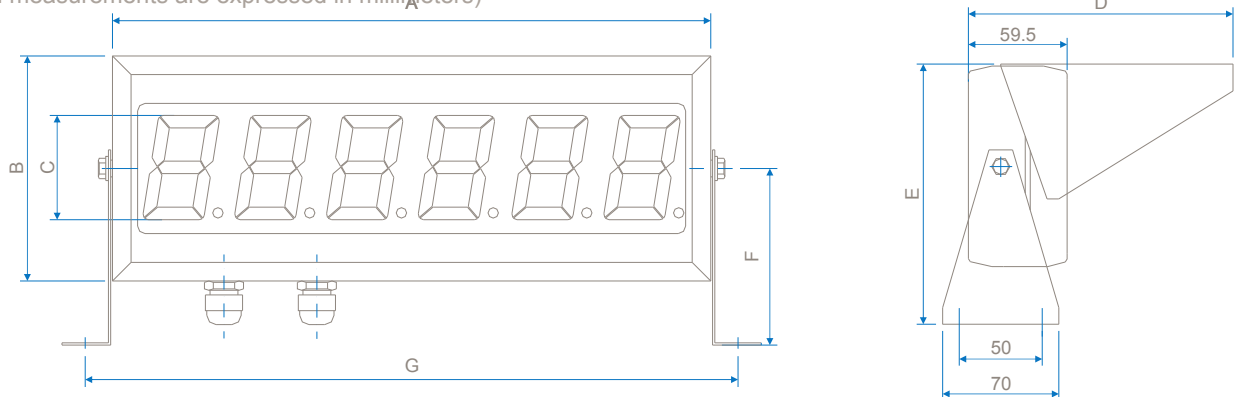


Product Description

Multi purpose RD series displays are the perfect solution for reading of truck scales, crane scales and field process' from a remote location.

Dimensions

(All measurements are expressed in millimeters)



Type	A	B	C	D	E	F	G
RD 20	154	80	20	120	121	75	182
RD 57	322	121	57	160	157	95	352
RD 102	583	160	102	160	198	115	615
RD 210	1062	272	210	220	310	173	1107