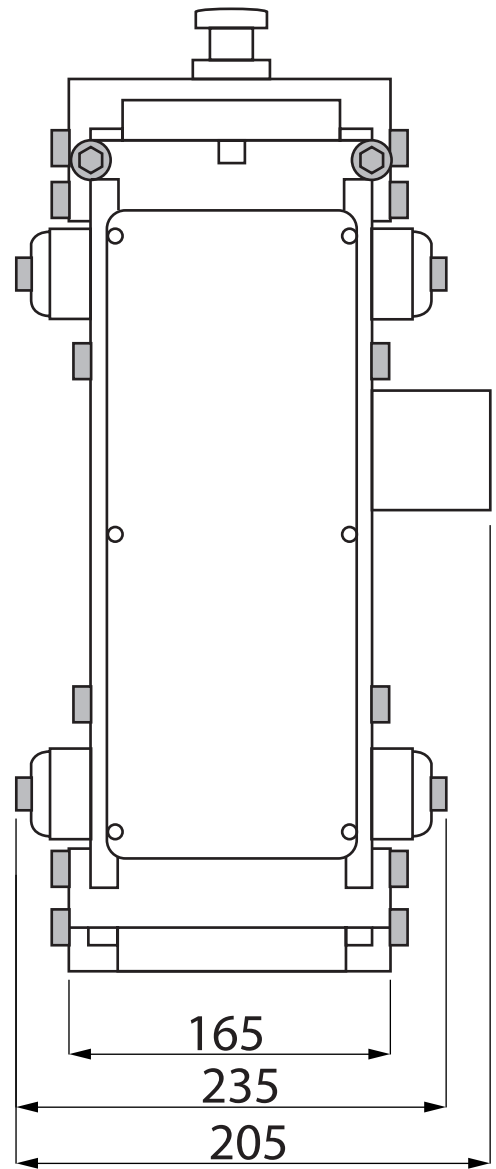
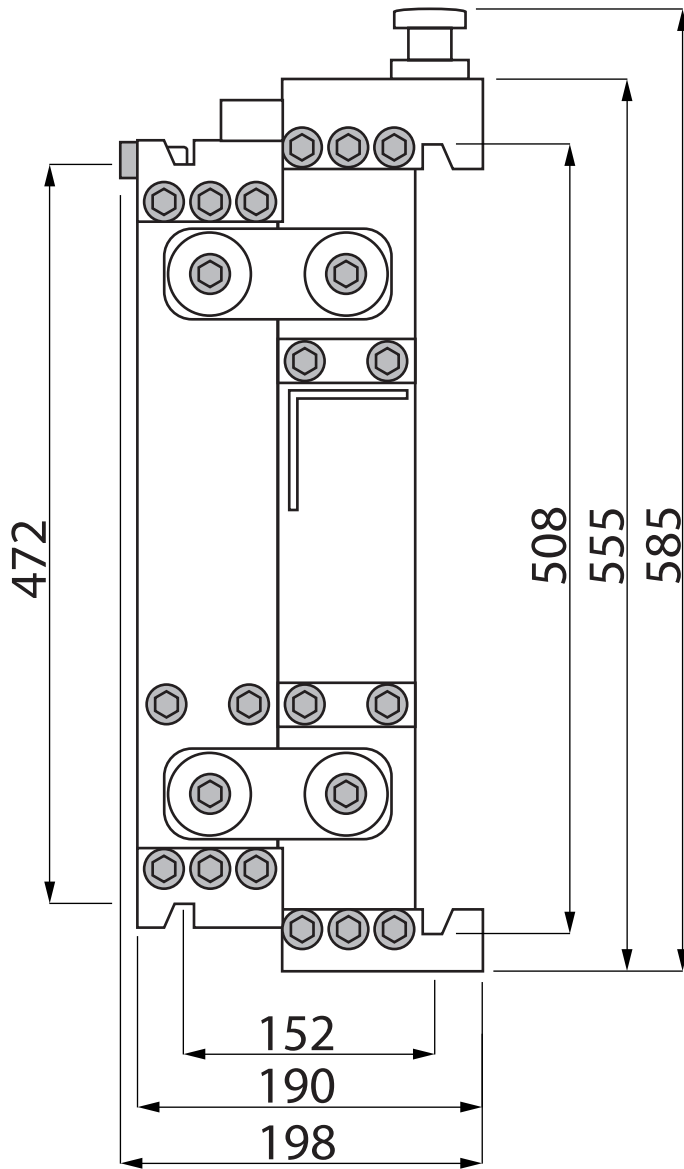


# LTS



dimensions in mm