

3.2/

A

B

C

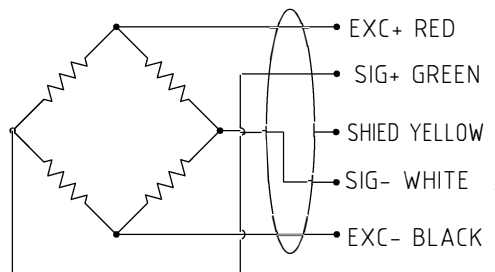
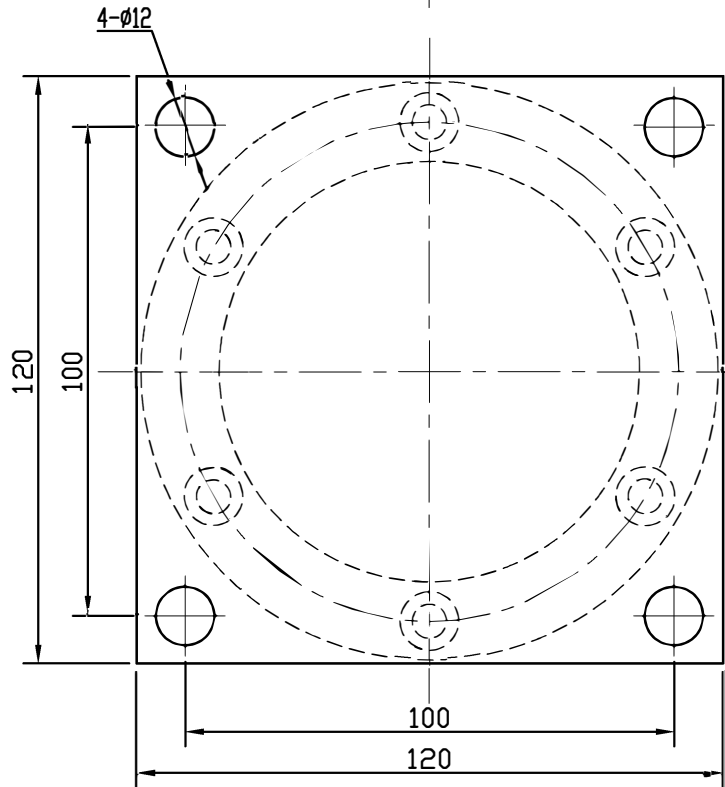
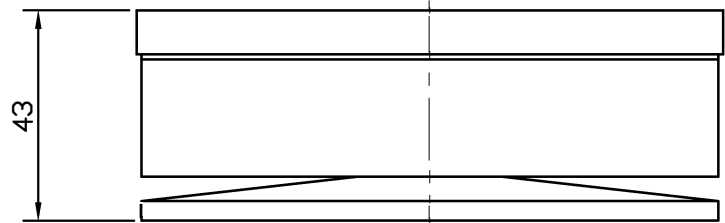
D

A

B

C

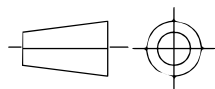
D



	Specifications	Technique
	Nominal load	10t
	Rated output	2mV/V
	Zero balance	±0.05mV/V
	Non-linearity	0.1%F.S.
	Hysteresis	0.1%F.S.
	Repeatability	0.05%F.S.
	Creep (30min)	0.05%F.S.
	Temp.effect on output	0.05%F.S./10°C
	Temp.effect on zero	0.03%F.S./10°C
	Input impedance	750±20Ω
	Output impedance	700±3Ω
	Insulation	≥5000MΩ/500VDC
	Recommended excitation	10V
	Maximum excitation	15V
	Compensated temp range	-20 ~ 70°C
	Operation temp range	-20 ~ 70°C
	Safe overload	150%F.S.
	Ultimate overload	200%F.S.
	Cable size	φ5.4X3m
	Protection class	IP67

Drawing_GY-6_10ton_V1

Load (t)	±0.05	±0.10	±0.20	±0.50
0 ~ 6	±0.05	±0.10	±0.20	±0.50
>6 ~ 30	±0.10	±0.20	±0.50	±1.00
>30 ~ 120	±0.15	±0.30	±0.80	±1.50
>120 ~ 400	±0.20	±0.50	±1.20	±2.50
>400 ~ 1000	±0.30	±0.80	±2.00	±4.00
>1000 ~ 2000	±0.50	±1.20	±3.00	±6.00
>2000 ~ 6000	±1.00	±2.00	±4.00	±8.00



1:1 A4
Patrik, 2017.07.07



kg

LGY65T200030-00-00

1 2 3 4 5 6

1 2 3 4 5 6