

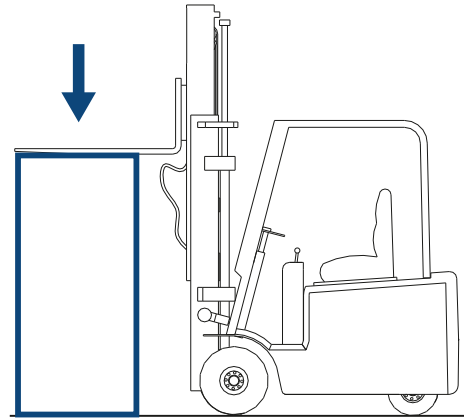
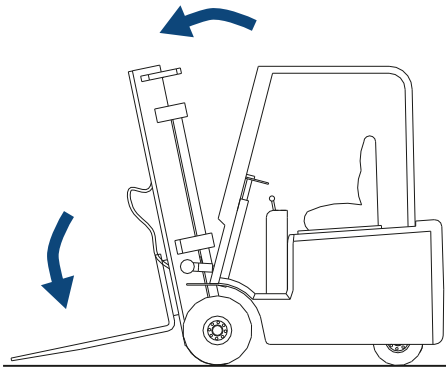
1

# REMOVE OIL PRESSURE FROM THE HYDRAULIC SYSTEM

Lower and tilt the forks forward

or

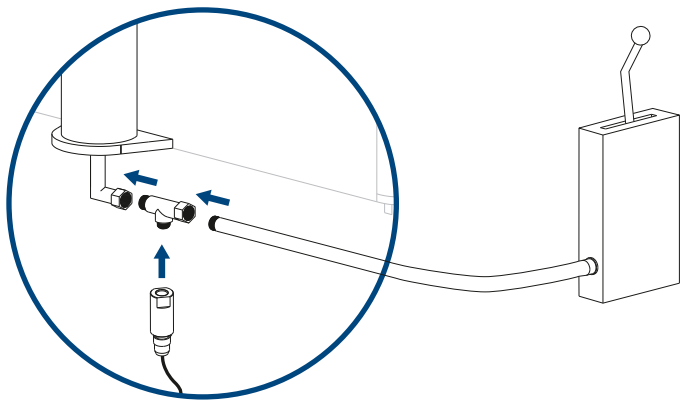
Place the forks on a stable object



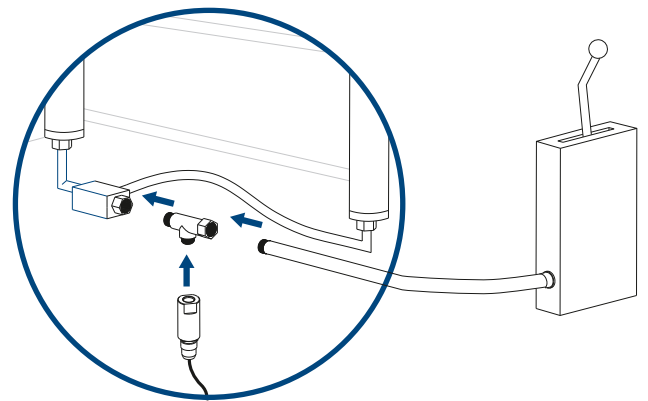
2

# INSTALL THE SENSOR

### SINGLE CYLINDER

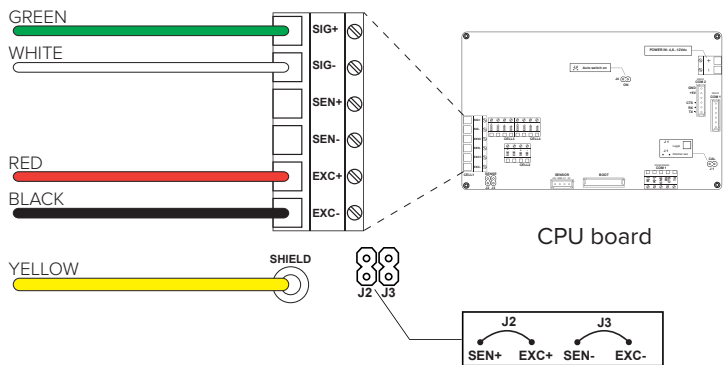


### DOUBLE CYLINDER

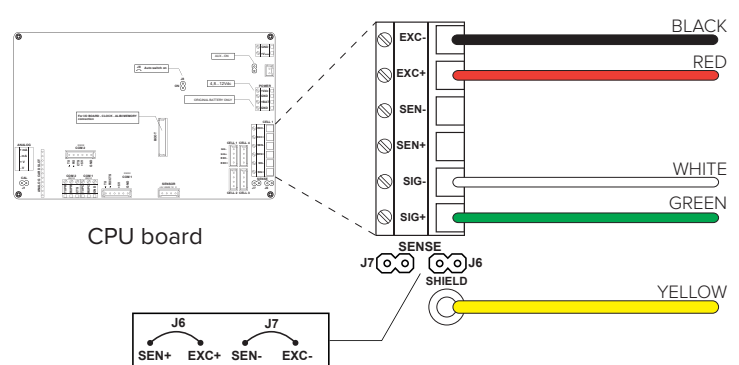


# CONNECT THE SENSOR CABLE TO THE INDICATOR

### LTP



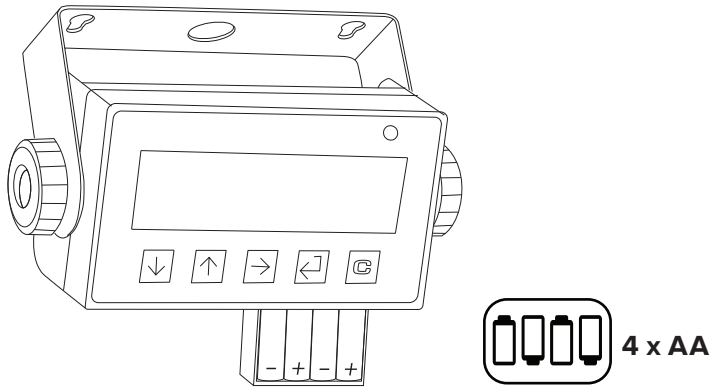
### LTPKXP



# 4

## CONNECT THE POWER SUPPLY TO THE INDICATOR

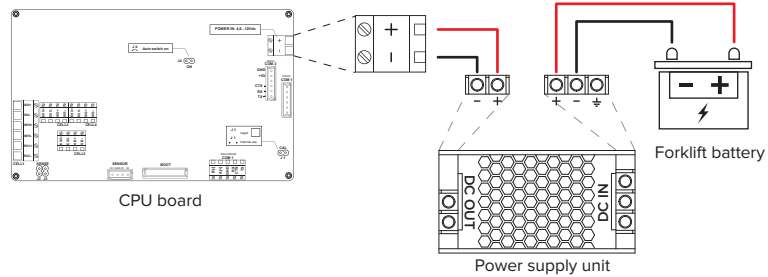
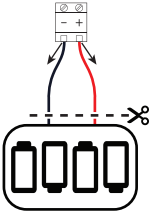
### 4.A LTP with batteries



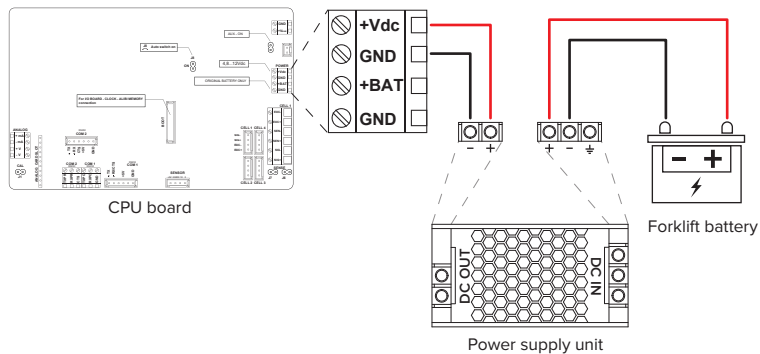
### 4.B LTP with power supply unit



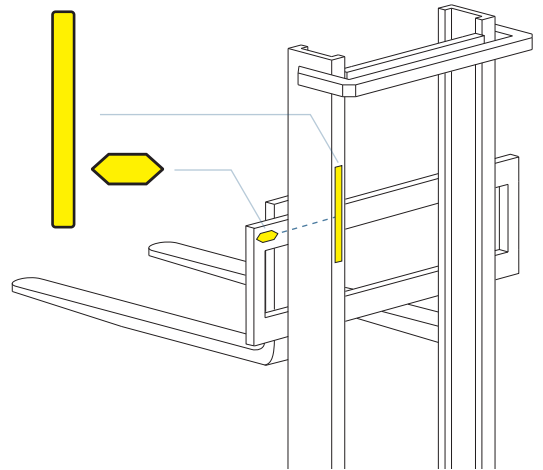
- I. Remove batteries
- II. Disconnect and cut the battery tray cables
- III. Connect the power supply unit



### 4.C LTPKXP



## 5 APPLY STICKERS



Stickers must be applied at least 50 cm from the floor

User manual download:



<https://diniargeo.it/download.aspx>

**DINI AR GEO**  
Scales - Weighing systems  
A RICE LAKE WEIGHING SYSTEMS COMPANY

**LTP** | WEIGHING KIT  
Quick installation guide