



# THRU HOLE LOAD CELLS 247W 30 – 500 KG

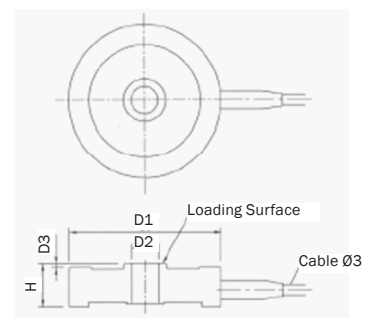
Miniature Thru hole Load Cell. Compression model

Rated Capacity ( R.C):	30kg, 50kg 100kg, 200kg, 500kg Compression only:
Rated Output (R.O):	1.5 mV/V $\pm$ 10%
Non-linearity:	$\pm$ 0.2% R.O
Hysteresis:	$\pm$ 0.2% R.O
Repeatability:	$\pm$ 0.1% R.O
Zero Balance:	$\pm$ 2% R.O
Excitation, Normal:	3VDC
Excitation, Maximum:	5VDC
Resistane, Input:	420 Ohm $\pm$ 40 Ohm
Resistane, Output:	350 Ohm $\pm$ 10 Ohm
Insulation Resistance:	1000 Mega ohm, Minimum
Temp. Range Operated:	-10 ~ 60°C
Temp. Coef. Zero:	$\pm$ 0.5% R.O /10°C
Temp. Coef. Span:	$\pm$ 0.5% Load /10°C
Safe Overload:	150% R.C
Cable:	$\varnothing$ 3mm PVC Jacket, 4C Sheilded cable 3m length
Cable color code:	Red (+EXC), Black (-EXC). Green (+SIG), White (-SIG), Bare (Shield)

CAPACITY: from 30 to 500 kg.

INNER DIAMETER:  
3, 5 or 8 mm available.

APPLICATION:  
Clamping force, bolt loading  
forces measurement.



MODEL NUMBER	CAPACITY	OUTER DIA. D1	INNER DIA. D2	HEIGHT H
247W-30-03	30kg	45mm	3mm	10mm
247W-30-05	30kg	45mm	5mm	10mm
247W-30-08	30kg	45mm	8mm	10mm
247W-50-03	50kg	45mm	3mm	10mm
247W-50-05	50kg	45mm	5mm	10mm
247W-50-08	50kg	45mm	8mm	10mm
247W-100-03	100kg	45mm	3mm	12mm
247W-100-05	100kg	45mm	5mm	12mm
247W-100-08	100kg	45mm	8mm	12mm
247W-200-03	200kg	45mm	3mm	12mm
247W-200-05	200kg	45mm	5mm	12mm
247W-200-08	200kg	45mm	8mm	12mm
247W-500-03	500kg	45mm	3mm	12mm
247W-500-05	500kg	45mm	5mm	12mm
247W-500-08	500kg	45mm	8mm	12mm

## SUGGESTED INSTALLATION DRAWING

