

## SPSX

### SPSX SERIES SINGLE POINT STAINLESS STEEL LOAD CELLS



Stainless steel load cells for off center loads, suitable for example to build CE-M approved scales with a single load cell with maximum dimensions of 600x800 mm.

---

**CAPACITIES (kg):** 100, 300, 500.

---

**OIML R60. C3** precision class.

---

**17-4 PH** stainless steel. **IP67** protection.

---

Working in cooperation with:

**Vetek AB**

Hantverkarsvägen 15 - 76493 Vaddö - Sweden  
Tel +46176208920 [info@vetek.com](mailto:info@vetek.com)

The best solution  
for advanced industrial  
applications

## MAIN FEATURES

- C3 PRECISION CLASS
- OFF CENTER LOAD COMPENSATED
- MADE IN 17-4 PH STAINLESS STEEL
- IP67 PROTECTION
- MAX. CAPACITIES FROM 100 TO 500 kg
- FOR PLATFORMS WITH DIMENSIONS UP TO 600 X 800 mm
- SHIELDED CONNECTION CABLE
- TEST CERTIFICATE AVAILABLE UPON REQUEST

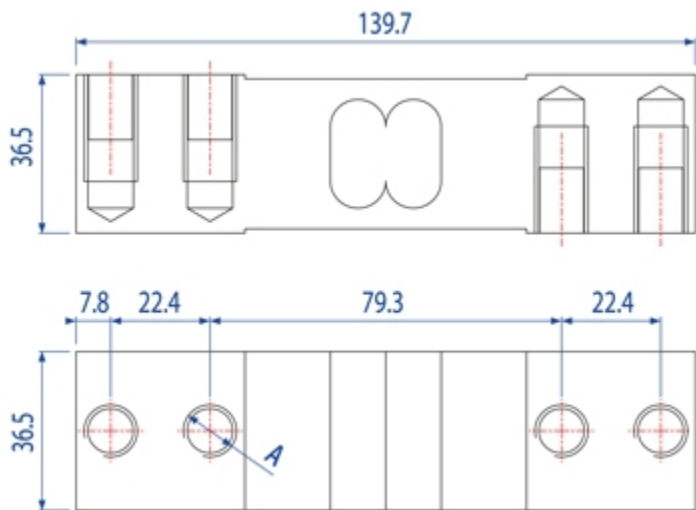
## TECHNICAL FEATURES

- Minimum load cell verification interval:  $V_{min} = E_{Max} / 15.000$
- Maximum number of verification intervals:  $n_{LC} = 3000$
- Full Scale Output: 2mV/V +/- 10%
- Temperature effect on zero: 0,01% FS/10K
- Temperature effect on full scale output: 0,001% FS/10K
- Compensated Temperature Range: -10°C/+40°C
- Operating Temperature Range: -10°C/+50°C
- Creep at nominal load in 30 minutes:  $\pm 0,01\%$  F.S.
- Maximum tolerated excitation voltage: 15 VDC
- Input Resistance:  $390 \pm 15$  Ohm
- Output Resistance:  $359 \pm 5$  Ohm
- Insulation Resistance (100V) >1000 MOhm
- Safe Overload: 300% F.S.
- Ultimate Overload: 300% F.S.
- Nominal displacement: < 0.5 mm
- 6-wire shielded cable, 3m long, 5mm diameter

## ATEX Version

- The CCATEX certificate makes the load cell suitable for use in hazardous areas with protection methods according to:  
ATEX II 1G Ex ia IIC T6 (Ta -20÷+40°C) TX (Ta -20÷+65°C) Ga  
ATEX II 1D Ex ta IIIC TX°C (Ta -20÷+40°C) TX°C (Ta -20÷+65°C) Da IP65.  
The certificate includes the manual and the ATEX CE conformity declaration (available in EN, DE, FR, and IT).
- IMPORTANT: the certificate refers to the single load cell. For systems with more load cells, it is necessary to order one certificate for each load cell.

## DETAIL 1





Code	Dimensions in mm
	A
SPSX300	M10
SPSX500	M12

Wiring Code	
<i>Colour</i>	<i>Function</i>
WHITE	OUTPUT +
GREEN	SENSE +
BLUE	INPUT +
RED	OUTPUT -
BLACK	INPUT -
GREY	SENSE -

## VERSIONS

### Available versions

Codice	Piatto Max (mm)	Max (kg)
SPSX100 	600 x 800	100
SPSX300 	600 x 800	300
SPSX500 	600 x 800	500



www.diniargeo.com



“YOUR WORLDWIDE PARTNER FOR WEIGHING,”

DINI ARGEO  
FRANCE sarl  
Nogent-sur-Marne

DINI ARGEO  
GMBH  
Sinsheim - Germany

DINI ARGEO  
UK Ltd  
Taunton - United Kingdom

DINI ARGEO WEIGHING  
INSTRUMENTS Ltd  
Shanghai - China

DINI ARGEO  
WEIGHBRIDGES  
Calto (RO) – Italy



HEAD OFFICE  
Via Della Fisica, 20  
41042 Spezzano di Fiorano Modena - Italy



**Vetek AB**

Hantverksvägen 15 - 76493 Väddö - Sweden

Tel +46176208920 info@vetek.com

SALES AND TECHNICAL ASSISTANCE SERVICE