

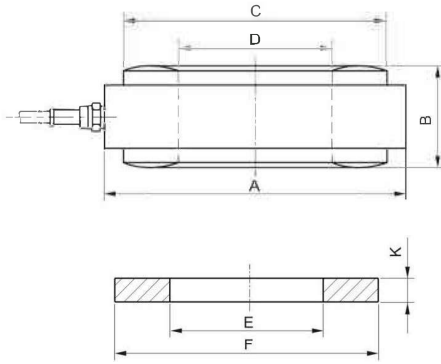


ARL

SHIM LOAD CELL

Materials: Stainless Steel

Shim load cell, stainless steel, hollow structure, very low profile, easy to install, good interchangeability. Suitable for various bolt, axes, tester and force testing.



Washer (harden)

Specifications

◇ Rated Output(mV/V)	1.00~2.00
◇ Nonlinearity	±2%FS
◇ Hysteresis	±2%FS
◇ Repeatability	±0.50%FS
◇ Creep(30minutes)	±0.02%FS
◇ Zero Balance	±1.00%FS
◇ Temperature Effect on Zero	±0.20%FS/10°C
◇ Temperature Effect on Output	±0.20%FS/10°C
◇ Input Resistance(Ω)	750±30
◇ Output Resistance(Ω)	700±5
◇ Insulation Resistance	≥5000M Ω
◇ Excitation Voltage	10V(DC/AC)
◇ Compensated Temperature Range	-10°C~+50°C
◇ Operating Temperature Range	-20°C~+60°C
◇ Safe Overload	150%FS
◇ Cable	ϕ 4.0×3m (6-16t) ϕ 5.4×5m (35-75t)

Cable Color Code

Input: Red(+) Black(-);
Output: Green(+) White(-)

Main Dimensions and Accessories

Capacity	Size mm						
t	A	B	C	D	K	E	F
6	29.0	16.0	20.0	10.3	4.0	10.3	28.0
8	31.4	16.0	23.6	12.3	4.0	12.5	30.0
12	36.0	16.0	27.0	16.3	4.0	16.5	34.0
16	46.0	17.0	34.0	20.3	5.0	21.0	45.0
35	56.0	25.0	45.0	24.5	6.0	24.5	52.0
50	67.0	29.0	56.0	30.8	7.5	31.4	65.0
75	80.0	29.0	66.0	37.0	9.0	37.5	73.0