

### APPLICATIONS:

Universal load cell type TCPM, can be used in small capacity weighing systems.

Some applications are:

- Small weighing platforms
- Industrial weighing system

### MAIN FEATURES:

- Universal use
- Low cost
- Steel construction

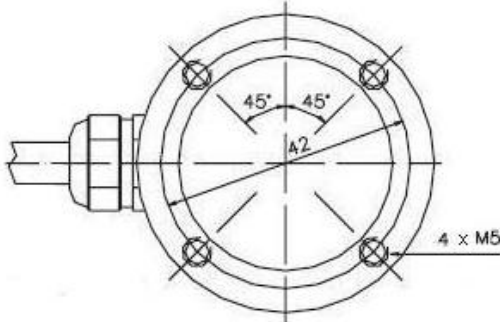
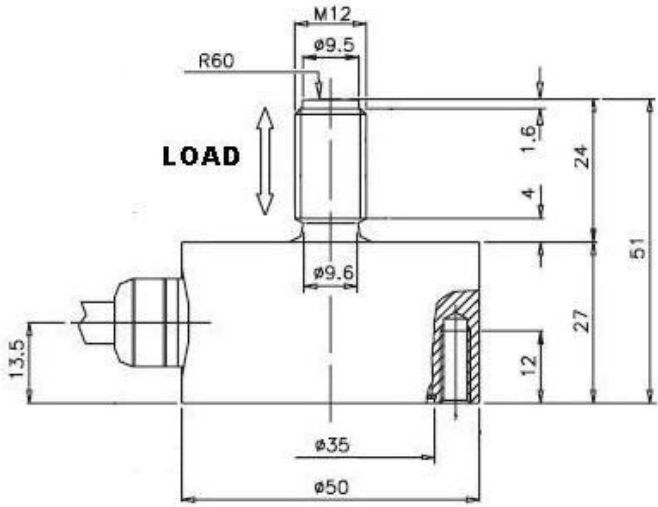


**NOMINAL LOAD:** kg 50-100-150-200-300-500

<b>SPECIFICATION ACCORDING TO VDI/VDE 2637</b>			
<b><u>METROLOGICAL CHARACTERISTICS</u></b>	<b>Par.</b>	<b>Un.</b>	
NOMINAL LOAD	Ln	Kg	50÷500
INITIAL LOAD	Lp	% Ln	20
MAXIMUM LOAD	Ll	% Ln	120
NON-LINEARITY	Flin	% Ln	0,01
HISTERESIS ERROR	Fu	% Ln	0,05
REPEATABILITY ERROR	Fv	% Ln	0,05
CREEP-30 MINUTES	Fcr	% Ln	0,05
NOMINAL TEMPERATURE RANGE	Btn	°C	-10+40
ZERO TEMPERATURE DRIFT (OVER 10 °C)	TK0	% Cn	0,05
OUTPUT TEMPERATURE DRIFT (OVER 10 °C)	TKC	% Cn	0,05
THERMAL GRADIENT		°K/h	<5
<b><u>ELECTRICAL DATA</u></b>			
NOMINAL OUTPUT	Cn	mV/V	1,5
NOMINAL OUTPUT TOLERANCE	Dc	±% Cn	10
NOMINAL SUPPLY VOLTAGE	Bsu	V	1÷10
MAXIMUM SUPPLY VOLTAGE	Usmax	V	15
INPUT RESISTANCE	Re	?	400±30%
OUTPUT RESISTANCE	Ra	?	350±5%
INSULATION RESISTANCE @ 20V	Ris	M?	>2000
ZERO OUTPUT TOLERANCE	Do	±% Cn	±2
<b><u>MECHANICAL DATA</u></b>			
BREAKING LOAD	Ld	% Ln	300
MAXIMUN SIDE LOAD	Llq	% Ln	100
DEFLECTION	hn	mm	<1
CABLE LENGTH		mm	1000
WEIGHT		Kg	0,2
<b><u>ENVIRONMENTAL CONDITIONS</u></b>			
WORKING TEMPERATURE RANGE	Btn	°C	-20+60
STORAGE TEMPERATURE RANGE	Bts	°C	-20+60
HOUSING PROTECTION			IP-66

SUBJECT TO CHANGE WITHOUT NOTICE

**Dimensions** (in mm; 1mm = 0.03937 inches)



**ELECTRICAL CONNECTIONS:**

- EXCITATION+            RED
- EXCITATION -        BLACK
- OUTPUT+              GREEN
- OUTPUT-              WHITE