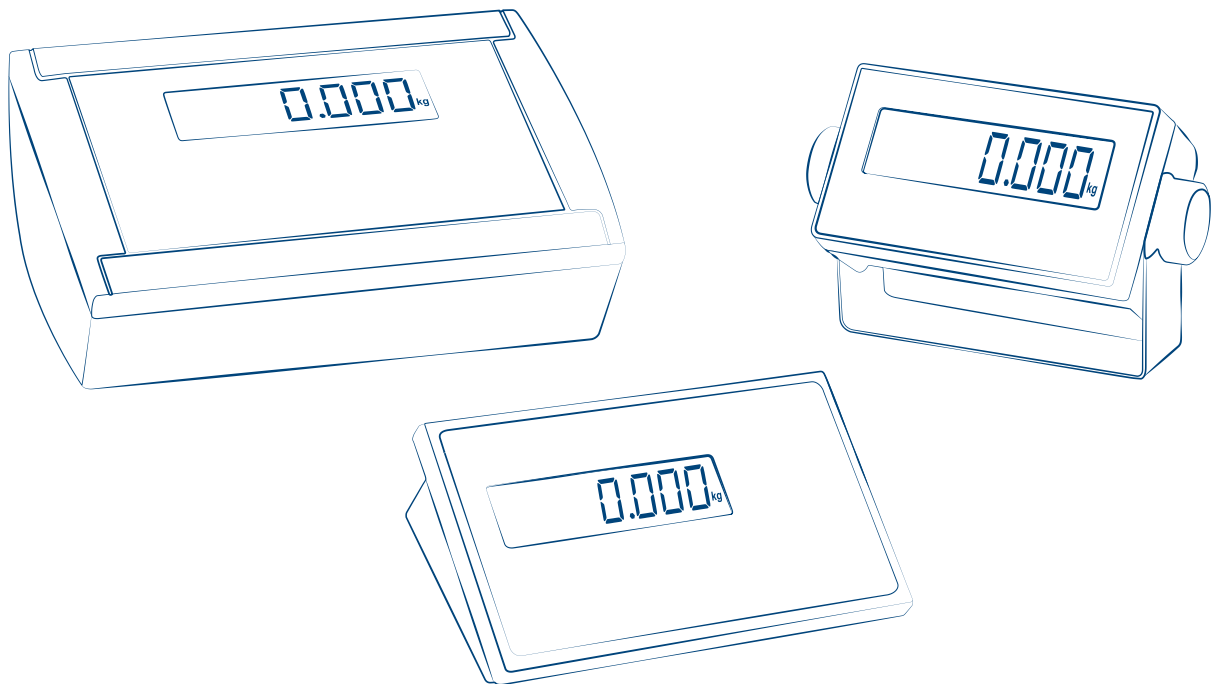


DFW • DFWL

TECHNICAL MANUAL - v5

ENGLISH



1. Introduction and warnings	4
2. Technical features	4
3. Approval	5
4. Connections	6
Single channel	6
Multichannel.....	7
5. Programming	8
How to access the programming menu.....	8
How to save the programming and exit the menu	8
Programming menu	9
6. Communication strings	41
7. Communication controls	42
8. Wiring schemes	44
DFWLxxx, WLB, TPWNxxx, TPWLxxx, MCWNxxx.....	44
DFWLIDxxx.....	44
DFWxxx, TPWxxx, MCWxxx.....	45
9. Programming errors	46
10. FAQ - Frequently Asked Questions	47
11. Summary of the parameters	48

CONTENTS BY TOPIC

Calibration

Quick calibration	10
Complete calibration	37

Equalisation

Multichannel connection	7
Equalisation procedure.....	36

Safety

Protection of the configuration menu via PIN.....	40
Protection of the user menu via PIN	40

Communication

Configuration of the serial port for PC.....	12
Configuration of the serial port for printer	14
Wiring schemes.....	44
Communication strings.....	41
Communication controls	42

Approval

Approval seal.....	5
Display of the metrological version	5

Reset

Factory configuration reset	33
Complete reset of memory	40

1. INTRODUCTION AND WARNINGS

This product represents the best solution for multi-function weighing applications, offering ease of use, high precision in reading the weight and many functions to speed-up and simplify everyday work.

This manual provides an overview of the product's potentials: through the configuration menu, you can adapt the product functionality to the weighing application to be realised.



WARNINGS:

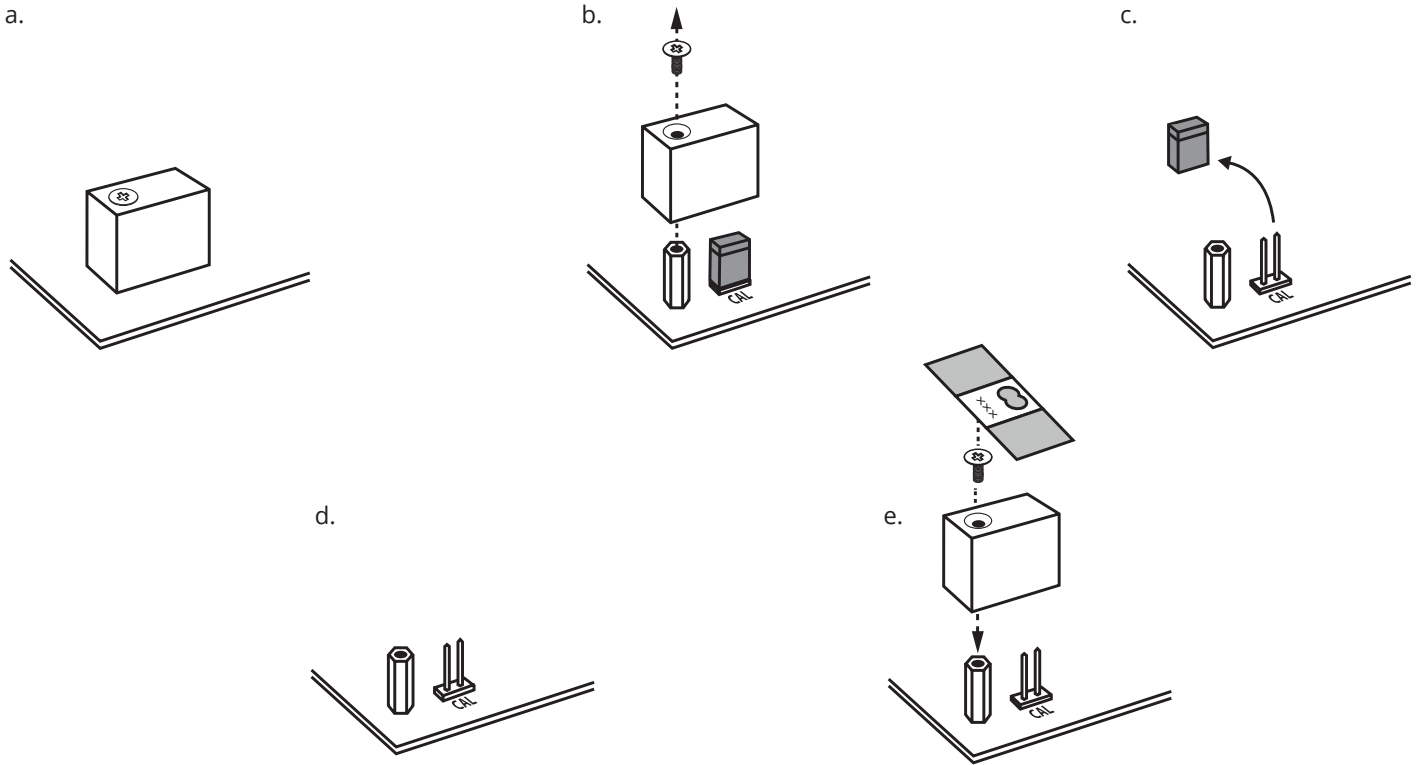
- Do not make repairs or replace electronic components of the instrument boards.
- Only use original spare parts.
- Any tampering with the equipment or use of non-original spare parts voids the warranty and relieves the manufacturer of any liability.
- Before any installation or repair that involves access to electronic parts, turn off the device and disconnect any source of power supply (battery, 230V network or other).
- Always use network power supply sources regulated within $\pm 10\%$ of the rated voltage;
- In applications in connection with third parties, always follow the specifications given on the approval decree of the equipment.
- Do not immerse in water.
- Do not wash with water jets (except versions with specific IP protection degree).
- Protect from direct rainfall (except versions with specific IP protection degree).
- Do not use aggressive cleaning solvents or substances.
- Do not install in potentially explosive environments.
- Earth connect any earth socket located on the equipment casing, using a cable with a diameter of at least 16 mm².

2. TECHNICAL FEATURES

Power supply via mains / Battery charger	110-230Vac	
MAX consumption	5W	
Analog channels for reading of load cells	4	
Managed / displayed scales	1	
Connectable cells	8 da 350 Ohm	
Load cells power supply	5V	
Maximum load cells power supply current	120mA	
Maximum operating temperature range CE-M - OIML	-10°C + 40°C	
Maximum operating temperature range	-10°C + 60°C LCD/-20°C + 60°C LED	
OIML divisions	10000e 3x3000e	
Divisions for internal use	100d ... 1.000.000d	
Optional Digital relays (only for DFW family)	Number	2 / 4
	Features	48 Vac, 60 Vdc, 15 mA, 10 Ω Max
Optional Digital inputs (only for DFW family)	Number	2 / 4
	Features	12 / 24 Vdc, 5:20 mA
Optional analog output (only for DFW family)	0:10 Vdc, 0:20 mA	
Serial ports	2	



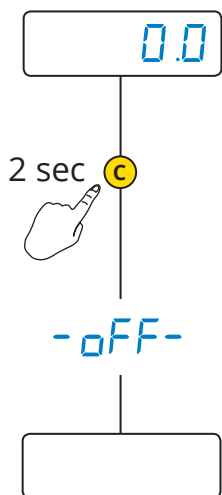
3. APPROVAL



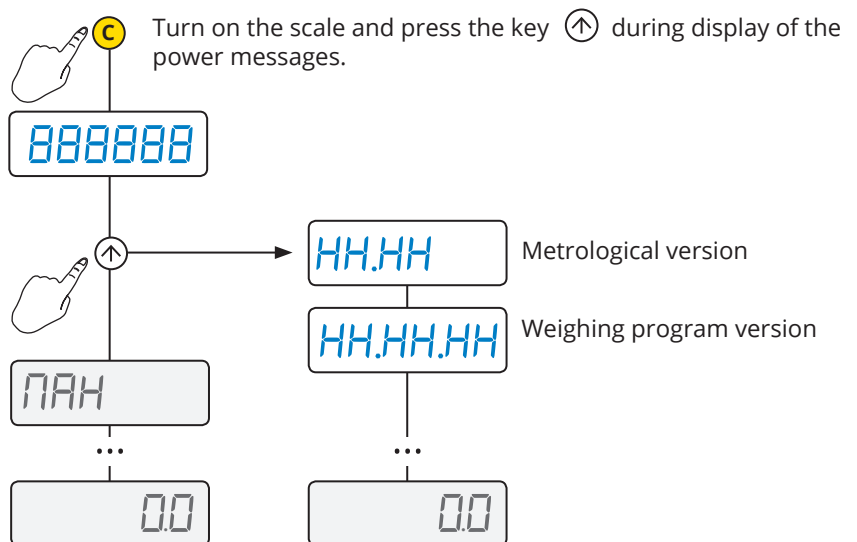
How to display the metrological version of the instrument



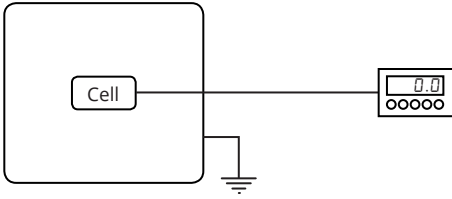
1. Turn off the scale



2. Follow the procedure:



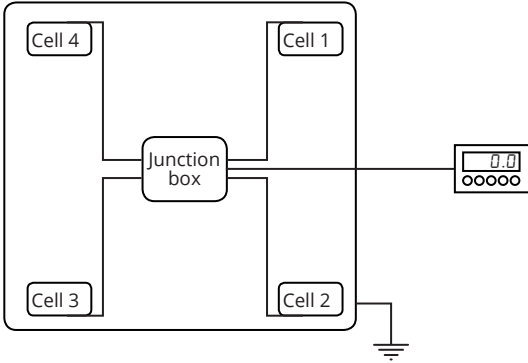
4. CONNECTIONS



Single channel



Connect the scale to the main terminal board using the first reading channel of the A/D converter.



Terminal board of reference for connection to 1 channel

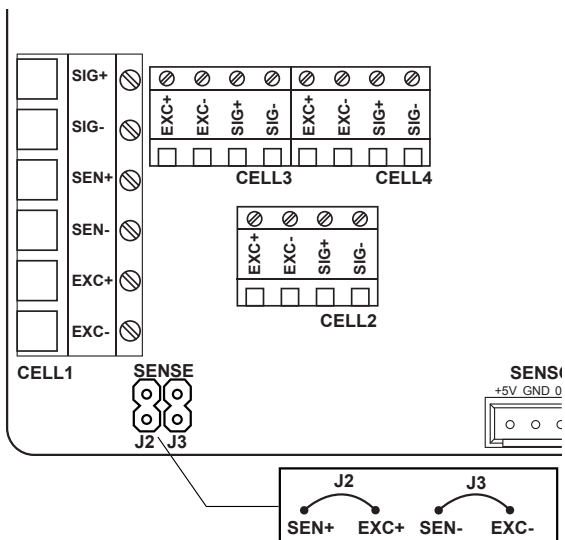
NOTES:

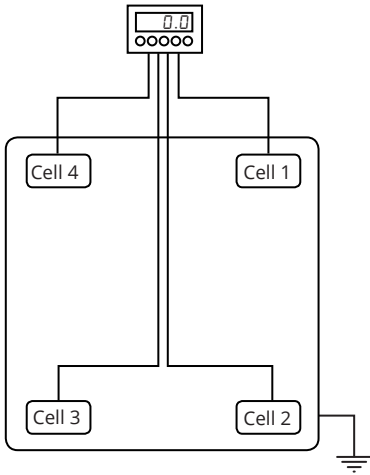
- For connection with 6 wires with "Sense", remove jumpers J2 and J3.
- For connection with 4 wires, install jumpers J2 and J3.



WARNING:

Make the connections with indicator off and feeder disconnected. Comply with the electronic specifications indicated in the table on page 4





Multichannel with digital equalisation

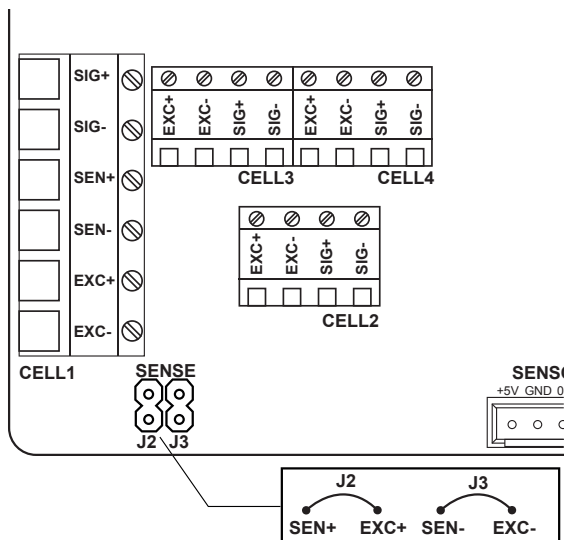


You can use the 4 channels of the converter to connect 2, 3 or 4 cells, digitally equalising them without using junction boxes.

Terminal boards of reference for connection to 4 channels

NOTES:

- Install jumpers J2 and J3.

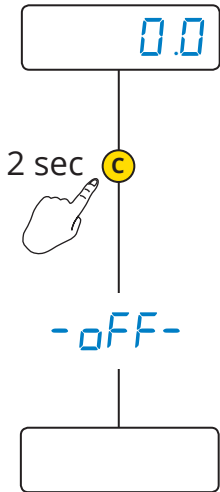


5. PROGRAMMING

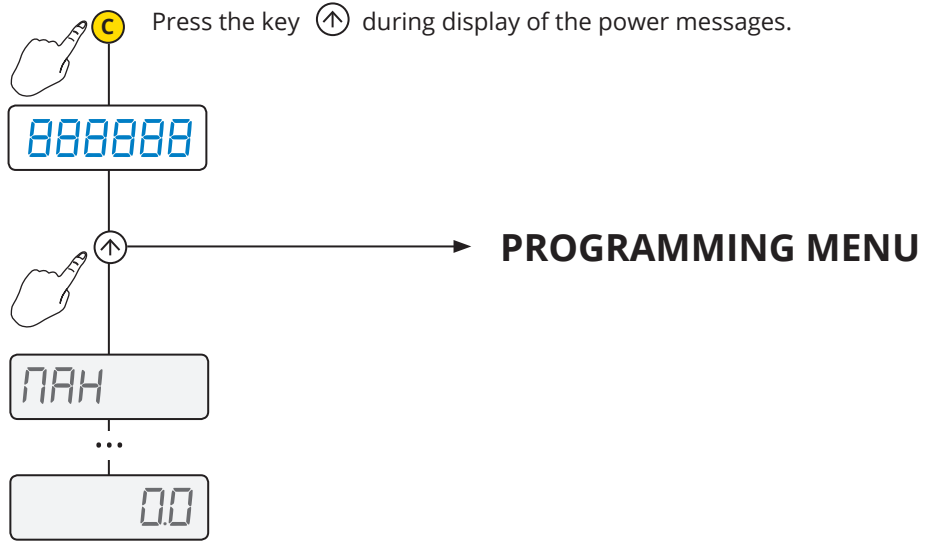
How to access the programming menu



1. Turn off the scale



2. Follow the procedure:

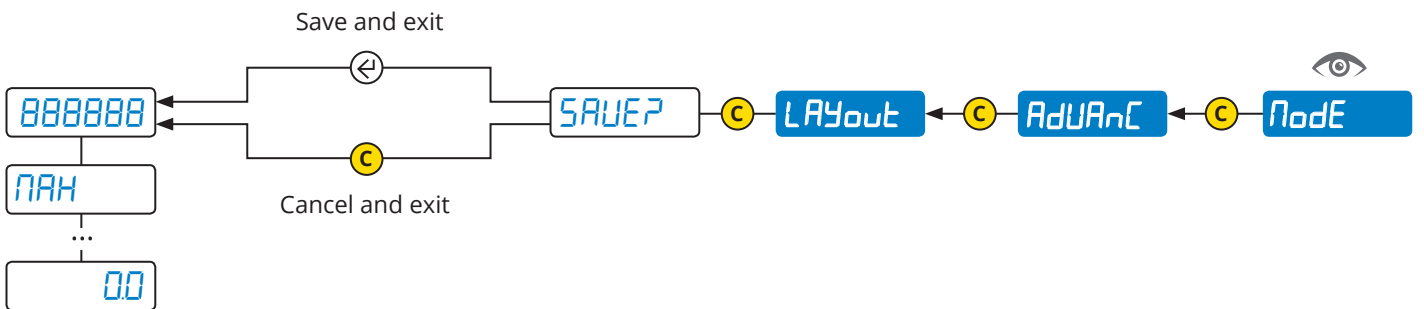


How to save the programming and exit the menu















To save the programming changes made, repeatedly press the key **C** browsing the menu in reverse, until the message **SAVEP** appears: press **←** to save or **C** to exit without saving.

Example (read from right to left):



⚙️ PROGRAMMING MENU



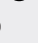
	CAL	Quick calibration.....	10
↓			
	DCAL	Reset of Pre-Tare (zero calibration).....	11
↓			
	GrAV	Area of gravity of the place of use.....	11
↓			
	SErIAL	Configuration of the serial ports.....	12
↓			
	LAYout	Print customisation.....	17
↓			
	FILTEr	Weighing filter.....	25
↓			
	SCrEEen	Adjusting the display.....	26
↓			
	bAtt	Using the battery.....	27
↓			
 			
	ECo.bAt	Energy saving.....	27
↓			
	AutoFF	Auto off.....	28
↓			
	rENotE	Using the remote control.....	28
↓			
	An.out	Analog output.....	29
↓			
	inPutS	Digital inputs.....	31
↓			
	outPut	Digital outputs.....	32
↓			
	rESEt	Factory configuration reset.....	33
↓			
	dIAG	Diagnostics.....	33
↓			
	AdVAnC	Advanced.....	34

 Parameter visible only in certain conditions.

 Parameter or menu subject to approval.



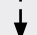







How to enter

1. Off 
2. On 
3. 

 Page 8

How to browse


-  = 
-  = 
-  = 
-  = 

How to save and exit

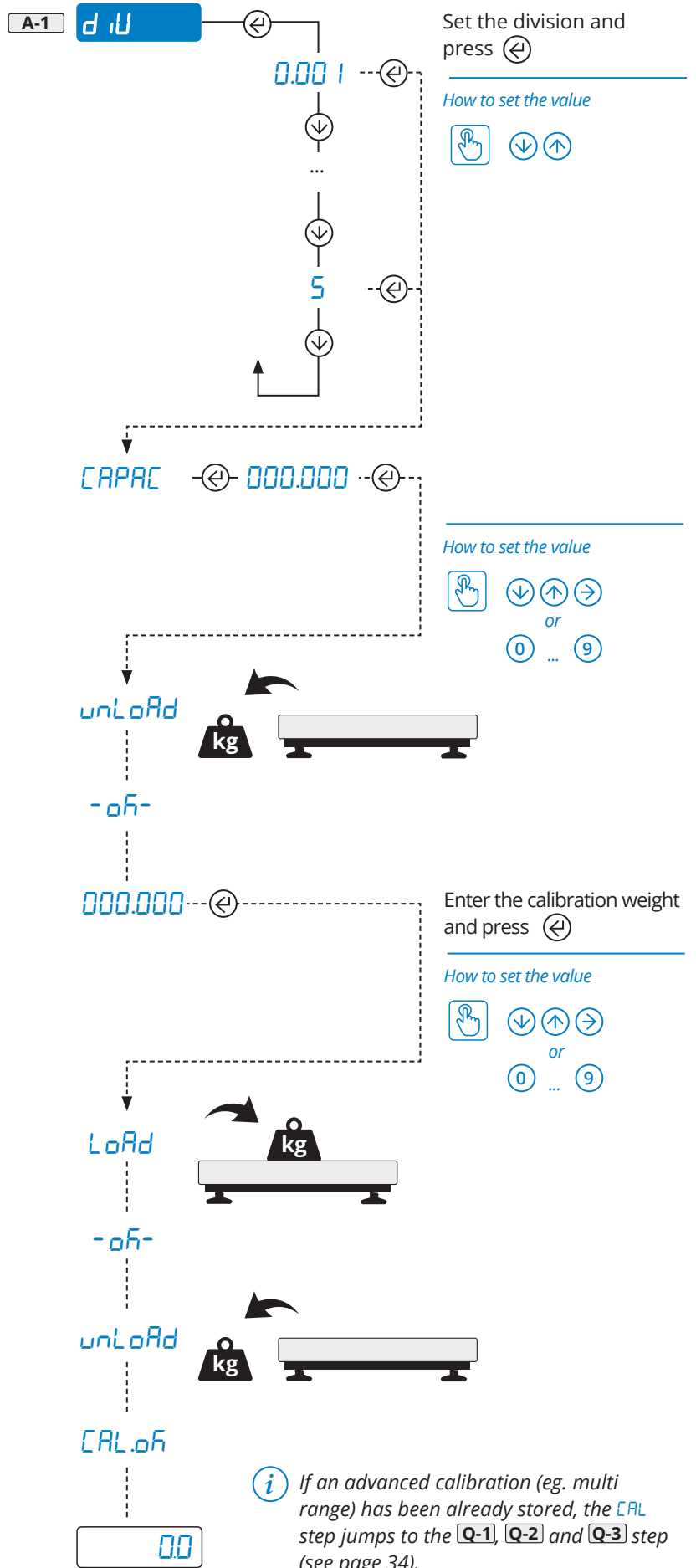


 Page 8

- A **CAL**
- B 0.CAL
- C GrAU
- D SEr iAL
- E LAYout
- F iLteR
- G SCrEEen
- H bAtte
- I ECoBAte
- J AutoFF
- K rENotE
- L An.out
- M inPutS
- N outPut
- O rESEt
- P d iAG
- Q AdVAnC

CAL Quick calibration 

Start of the calibration procedure:



MENU

How to enter

1. Off
2. On
- 3.

Page 8

How to browse

- =
- =
- =
- =

How to save and exit



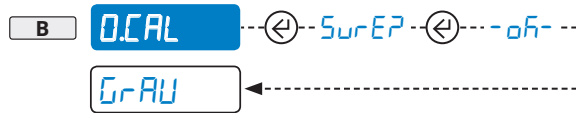
Page 8

- A CAL
- B **O.CAL**
- C **GrAU**
- D SEr iAL
- E LAYout
- F iLteR
- G SCrEEEn
- H bAtte
- I ECo.bAt
- J AutoFF
- K rENotE
- L An.out
- M inPutS
- N outPut
- O rESEt
- P d iAG
- Q AdUAnC

O.CAL Reset of the Pre-Tare



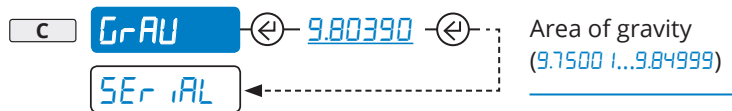
Acquisition of the zero point



GrAU Area of gravity of the place of use



Once the calibration is completed, for proper operation set the area of use in this pitch (if different from that of calibration).



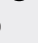


Area of gravity
(9.7500 1...9.84999)

How to set the value











How to enter

1. Off 
2. On 
3. 

 Page 8

How to browse

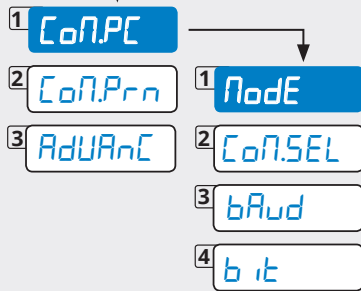
-  = 
-  = 
-  = 
-  = 

How to save and exit



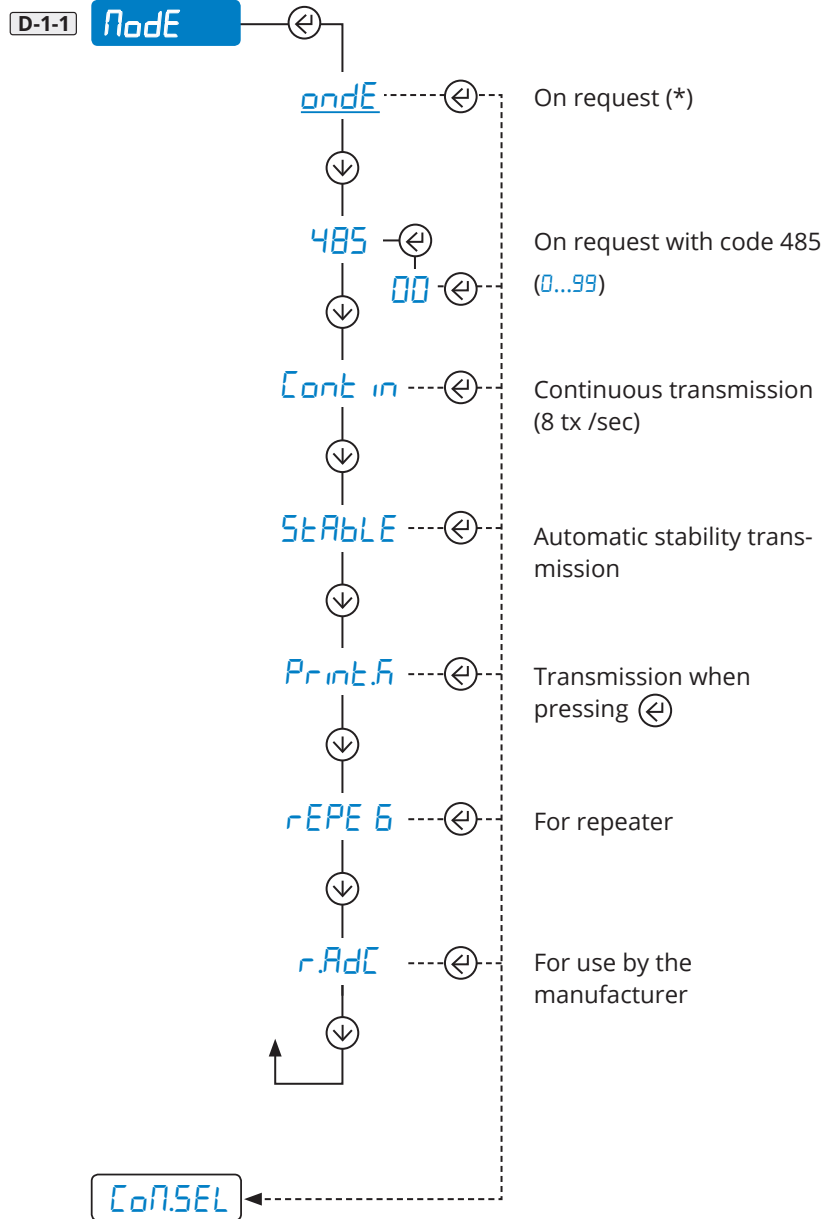
 Page 8

- A
- B
- C
- D
- E
- F
- G
- H
- I
- J
- K
- L
- M
- N
- O
- P
- Q



CoN.PC Communication with PC, PLC or Repeater

Selection of the communication mode



 * For communication strings and controls, see page 41 - 42.

 For the string selection, see step **D-3-1**.

MENU

How to enter

1. Off
2. On
- 3.

Page 8

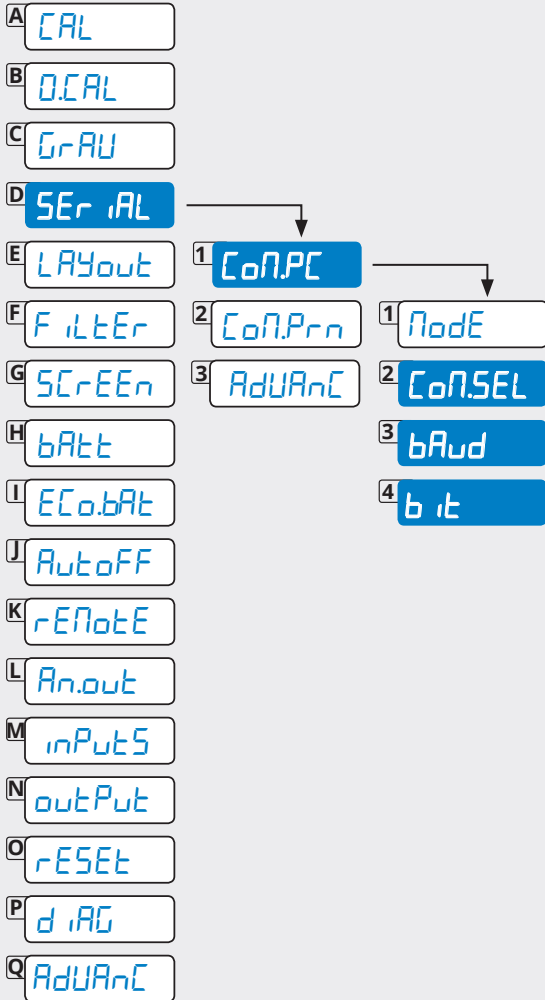
How to browse

- =
- =
- =
- =

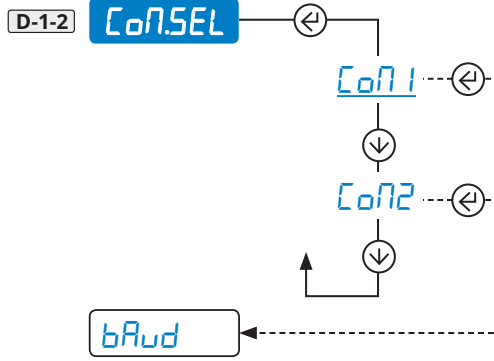
How to save and exit



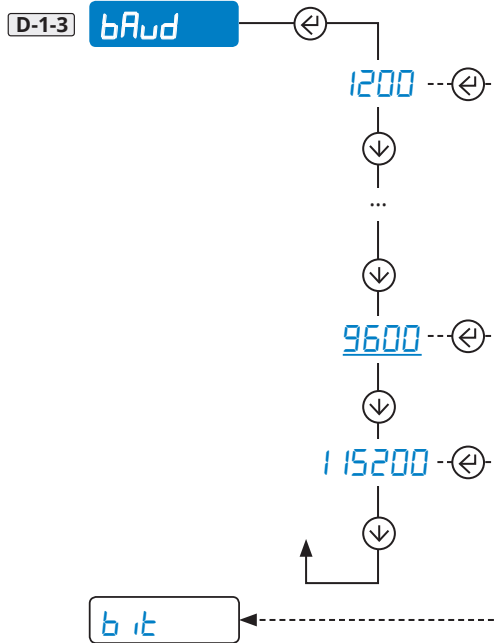
Page 8



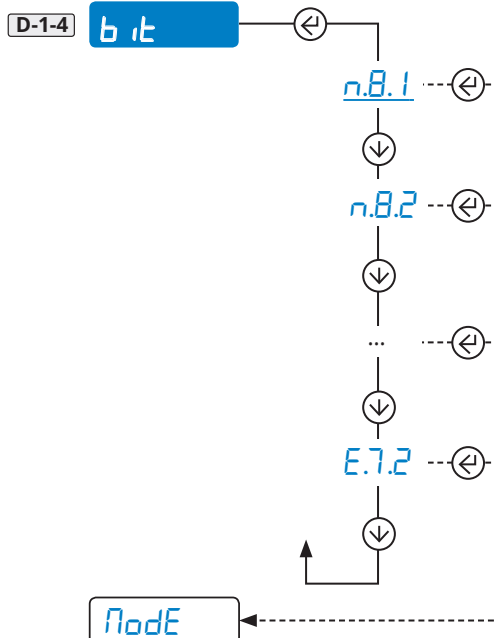
Selecting the COM port for connection with PC/PLC




Communication speed (Baud rate)



Configuration of the serial protocol











How to enter

- 1. Off 
- 2. On 
- 3. 

 Page 8


How to browse

-  = 
-  = 
-  = 
-  = 

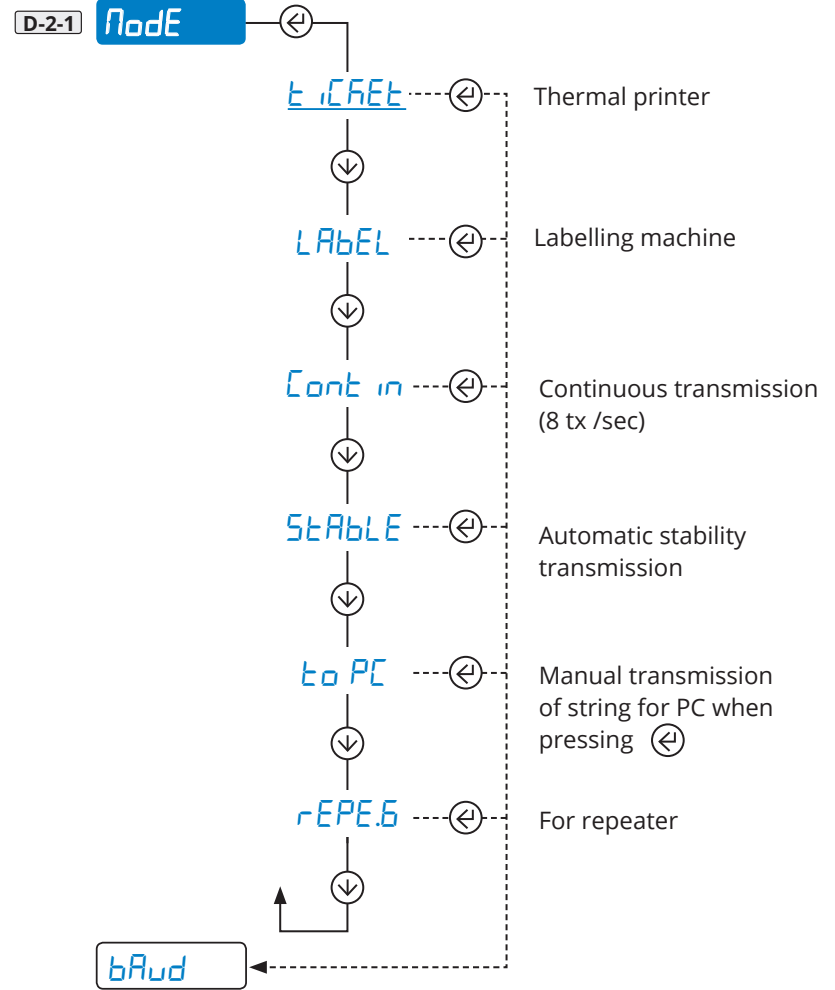
How to save and exit




 Page 8

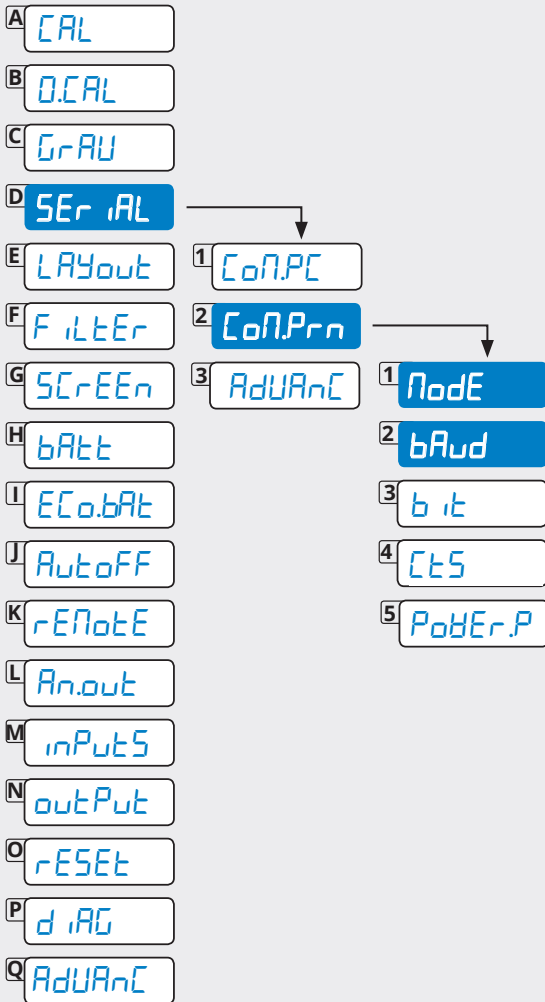
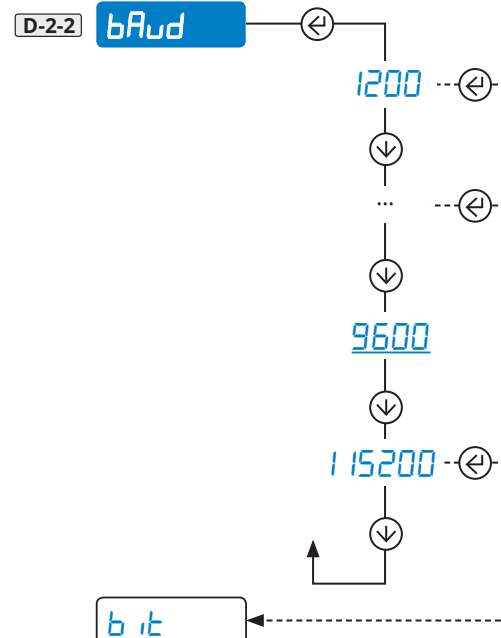
CoNPrn Communication with printer or repeater or PC 

Selection of the communication mode



 For communication strings and controls, see page 41 - 42.

Communication speed (Baud rate)



MENU

How to enter

1. Off
2. On
- 3.

Page 8

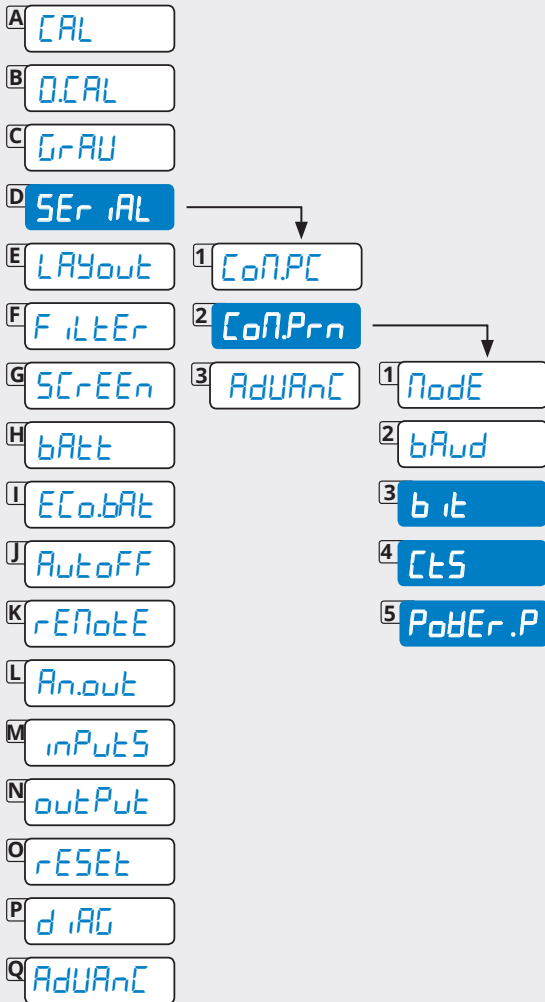
How to browse

- =
- =
- =
- =

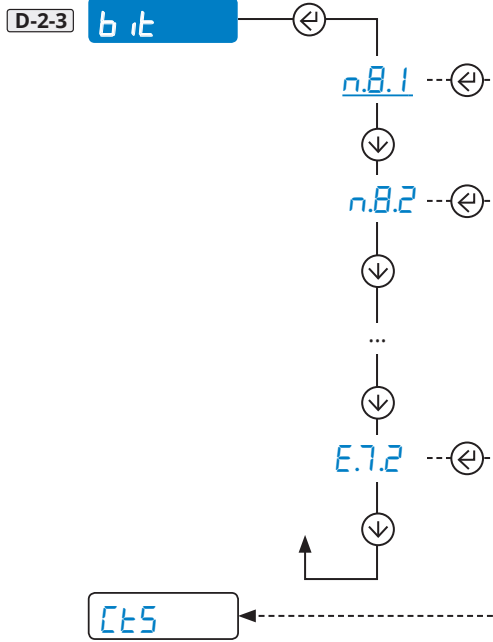
How to save and exit



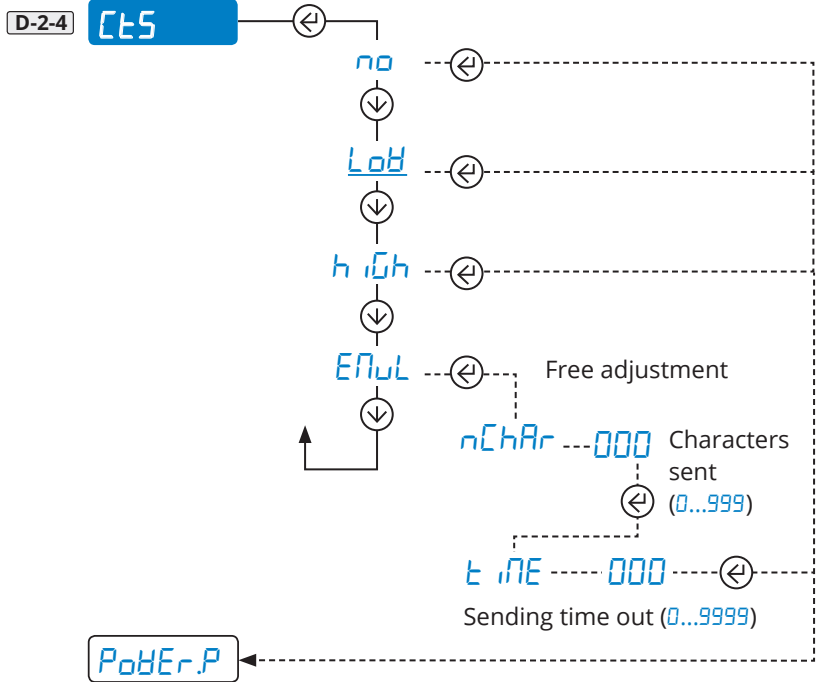
Page 8



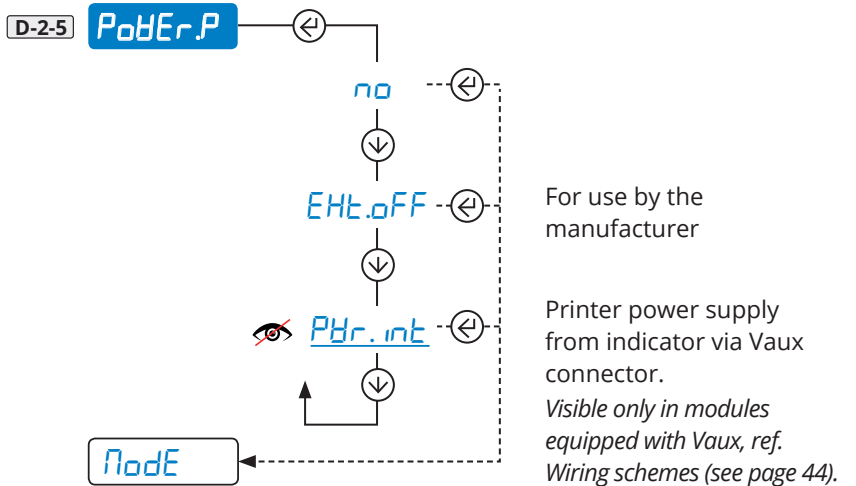
Configuration of the serial protocol



Printer control signal



Printer power supply / Radio-frequency module



How to enter

1. Off
2. On
- 3.

Page 8

How to browse

- =
- =
- =
- =

How to save and exit



Page 8

- A CAL
- B D.CAL
- C GRAU
- D SERIAL
- E LAYOUT
- F FILTER
- G SCREEN
- H BATT
- I ECOBATT
- J AUTOFF
- K RENOTE
- L ANOUT
- M INPUTS
- N OUTPUT
- O RESET
- P DIAG
- Q ADVANC

1 CONPC

2 CONPRN

3 ADVANC

1 PROTOC

2 RAD IO

3 TTLT IL

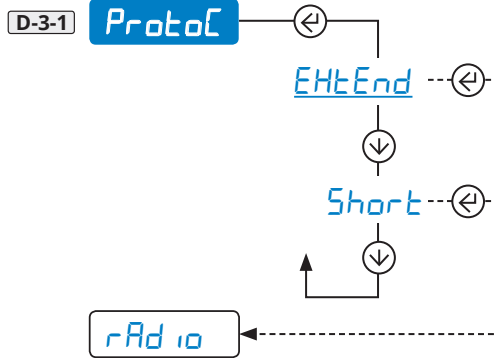
4 TER N

SERIAL Configuration of the serial ports

ADVANC Advanced configurations

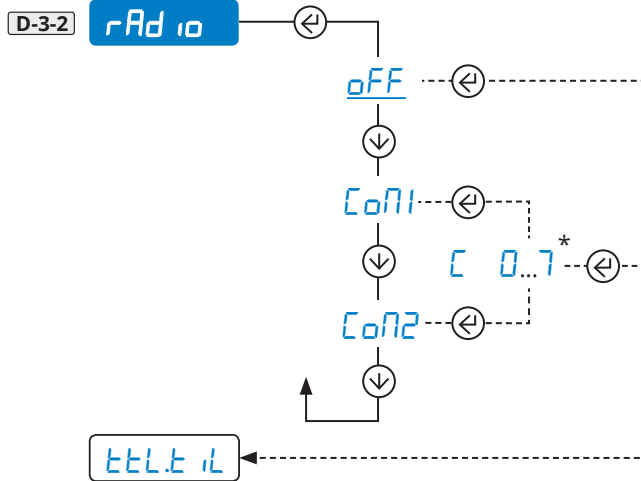


Communication protocol



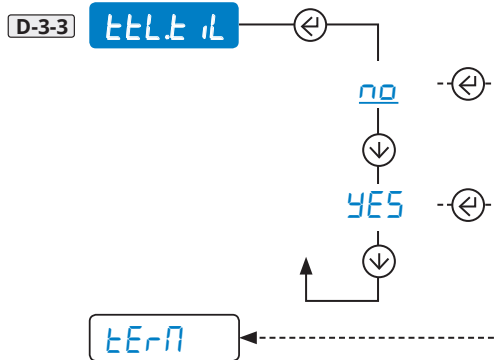
For communication strings and controls, see page 41 - 42.

Connection port of radio-frequency module (for use by the manufacturer)



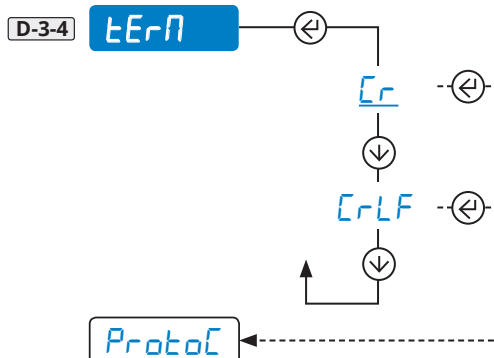
* Selection of the radio channel.

TTL port / Inclinomater activation (for use by the manufacturer)



Only for DFWL models.

Closing character of each print line





How to enter

- 1. Off
- 2. On
- 3.

Page 8

How to browse

- =
- =
- =
- =

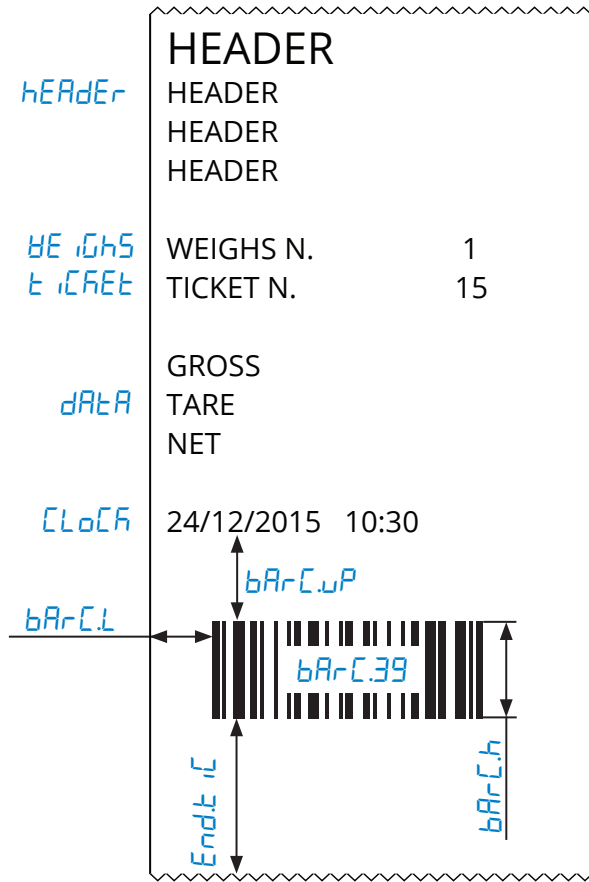
How to save and exit



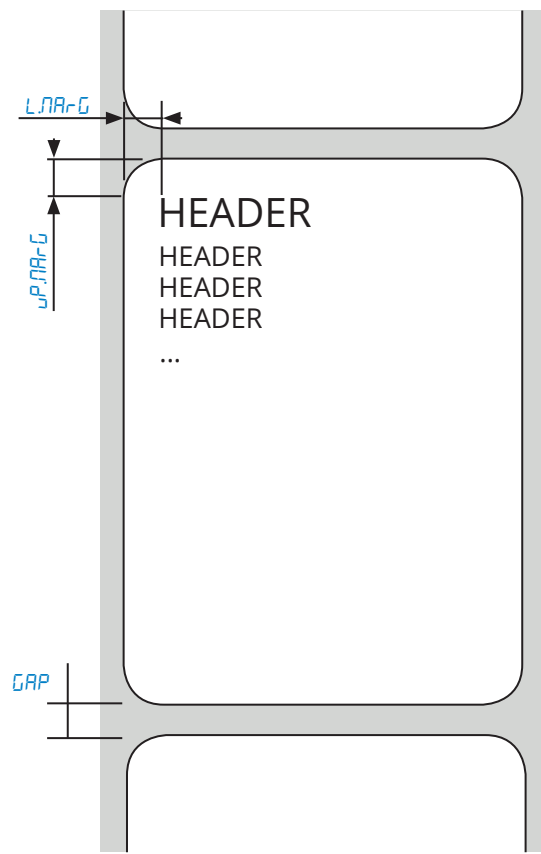
Page 8

Parameters for receipt/label mode

- A
- B
- C
- D
- E
 - 1
 - 2
 - 3
 - 4
 - 5
 - 6
 - 7
 - 8
 - 9
 - 10
 - 11
 - 12
 - 13
 - 14
 - 15
 - 16
 - 17
 - 18



Additional parameters for label mode





MENU

How to enter

- 1. Off
- 2. On
- 3.

Page 8

How to browse

- =
- =
- =
- =

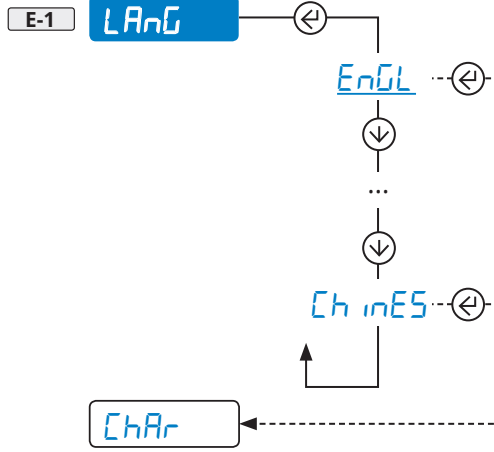
How to save and exit



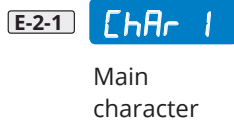
Page 8

A	CAL				
B	D.CAL				
C	GrAU				
D	SEr iAL				
E	LAYout				
F	FiLteR	1	LANG		
G	SCrEEen	2	ChAr		
H	bAtt	3	hEAdEr	1	ChAr 1
I	ECobAtt	4	dAtA	2	ChAr 2
J	AutoFF	5	HE iGhS		
K	rENotE	6	t iCREt		
L	An.out	7	CLoCh		
M	inPutS	8	bARCL39		
N	outPut	9	bARCLuP		
O	rESEt	10	bARCL		
P	d iAG	11	bARCh		
Q	AdVAnC	12	bARCLdt		
		13	CoP iES		
		14	Endt iC		
		15	bL inE		
		16	LAbEL		
		17	Lb.SAVE		
		18	tEst		

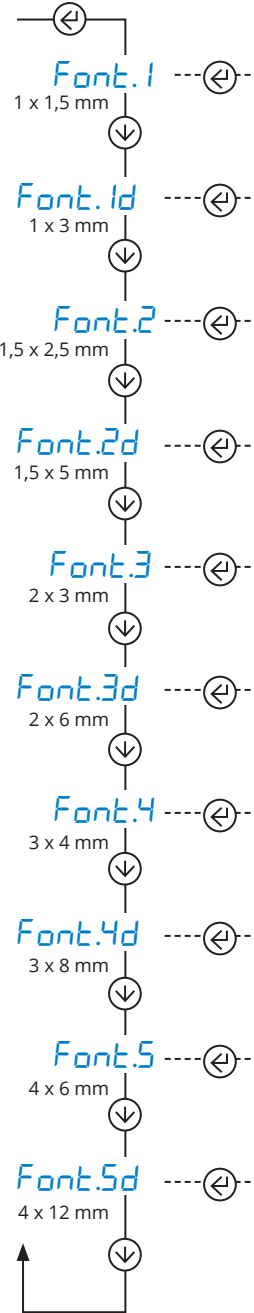
Setting of the print language (i tAL, EnGL, dEut, FrAn, ESPr, Ch inES)



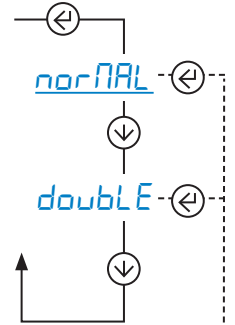
Character dimensions



Label mode





Receipt mode



E-2-2 ChAr 2 See ChAr 1











How to enter

1. Off 
2. On 
3. 

 Page 8

How to browse


-  = 
-  = 
-  = 
-  = 

How to save and exit

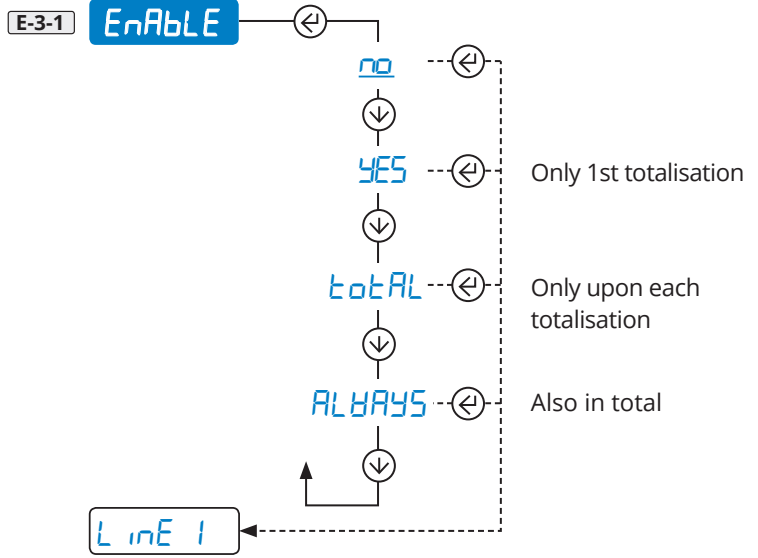


 Page 8

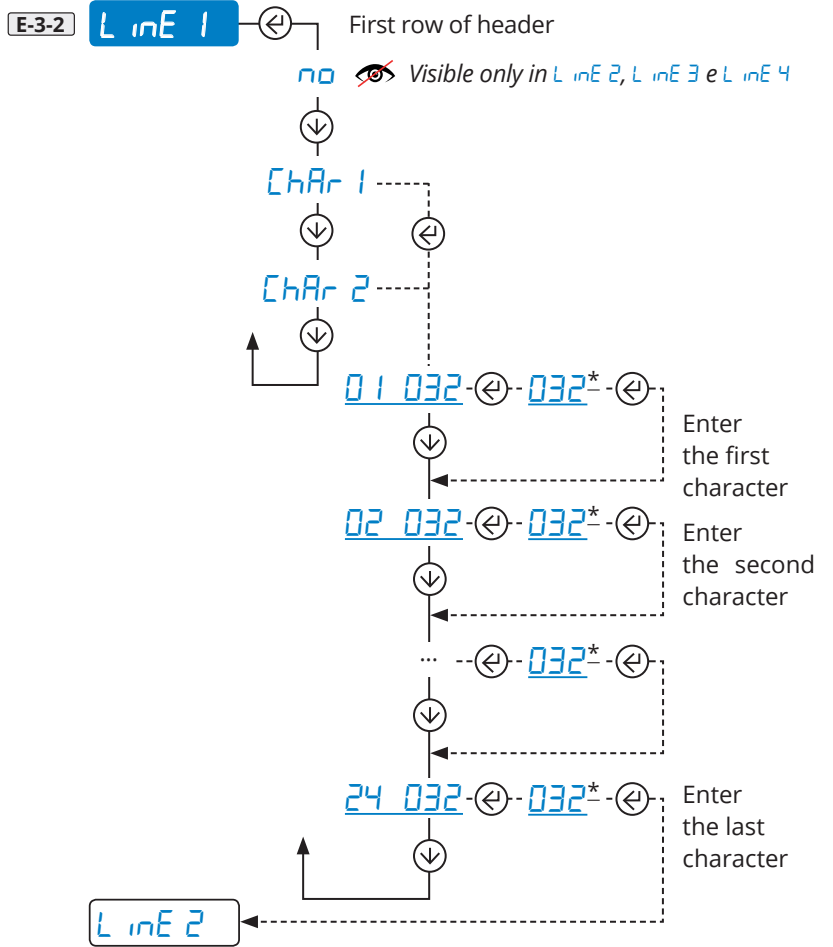
- A
- B
- C
- D
- E **LAYout**
 - F 1
 - G 2
 - H 3 **hEADer**
 - I 4 1 **EnABLE**
 - J 5 2 **L inE 1**
 - K 6 3 **L inE 2**
 - L 7 4 **L inE 3**
 - M 8 5 **L inE 4**
 - N 9
 - O 10
 - P 11
 - Q 12
 - 13
 - 14
 - 15
 - 16
 - 17
 - 18

hEADer Print header 

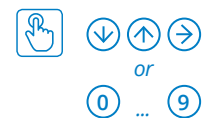
Enables header printing




Contents of the header lines



How to set the value



 Repeat the operation to program L inE 2, L inE 3 and L inE 4. Select no to disable them.

MENU

How to enter

- Off
- On
-

Page 8

How to browse

- =
- =
- =
- =

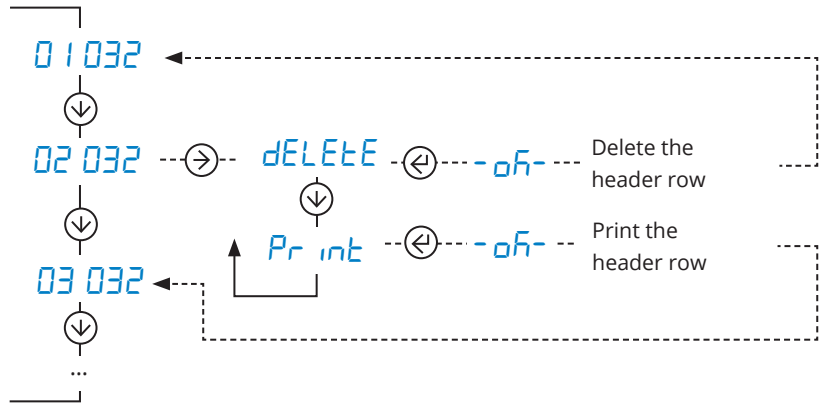
How to save and exit



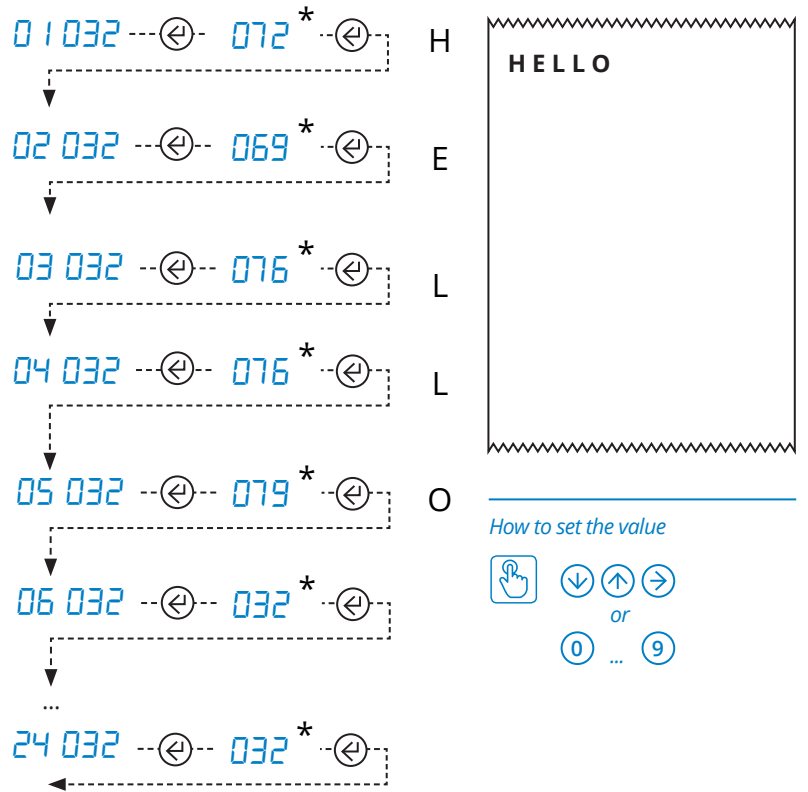
Page 8

- A CAL
- B O.CAL
- C GRAU
- D SERIAL
- E **LAYOUT**
 - 1 LANG
 - 2 CHAR
 - 3 **HEADER**
 - 1 **ENABLE**
 - 2 LINE 1
 - 3 LINE 2
 - 4 LINE 3
 - 5 LINE 4
 - 7 CLOCk
 - 8 BARCL39
 - 9 BARCLWP
 - 10 BARCL
 - 11 BARCLh
 - 12 BARCLdt
 - 13 COPIES
 - 14 Endt CL
 - 15 bLINE
 - 16 LABEL
 - 17 LbSAVE
 - 18 tEST
- F Filter
- G SCREEN
- H batt
- I ECOBAtt
- J AutoOFF
- K rENotE
- L An.out
- M inPutS
- N outPut
- O rESEt
- P d.iAG
- Q AdVAnC

How to print/delete the row being programmed



Programming example



List of characters (*)

32		47	/	62	>	77	M	92	\	107	k	122	z
33	!	48	0	63	?	78	N	93]	108	l	123	{
34	"	49	1	64	@	79	O	94	^	109	m	124	
35	#	50	2	65	A	80	P	95	_	110	n	125	}
36	\$	51	3	66	B	81	Q	96	'	111	o	126	~
37	%	52	4	67	C	82	R	97	a	112	p		
38	&	53	5	68	D	83	S	98	b	113	q		
39	'	54	6	69	E	84	T	99	c	114	r		
40	(55	7	70	F	85	U	100	d	115	s		
41)	56	8	71	G	86	V	101	e	116	t		
42	*	57	9	72	H	87	W	102	f	117	u		
43	+	58	:	73	I	88	X	103	g	118	v		
44	,	59	;	74	J	89	Y	104	h	119	w		
45	-	60	<	75	K	90	Z	105	i	120	x		
46	.	61	=	76	L	91	[106	j	121	y		



MENU

How to enter

- Off
- On
-

Page 8

How to browse

- =
- =
- =
- =

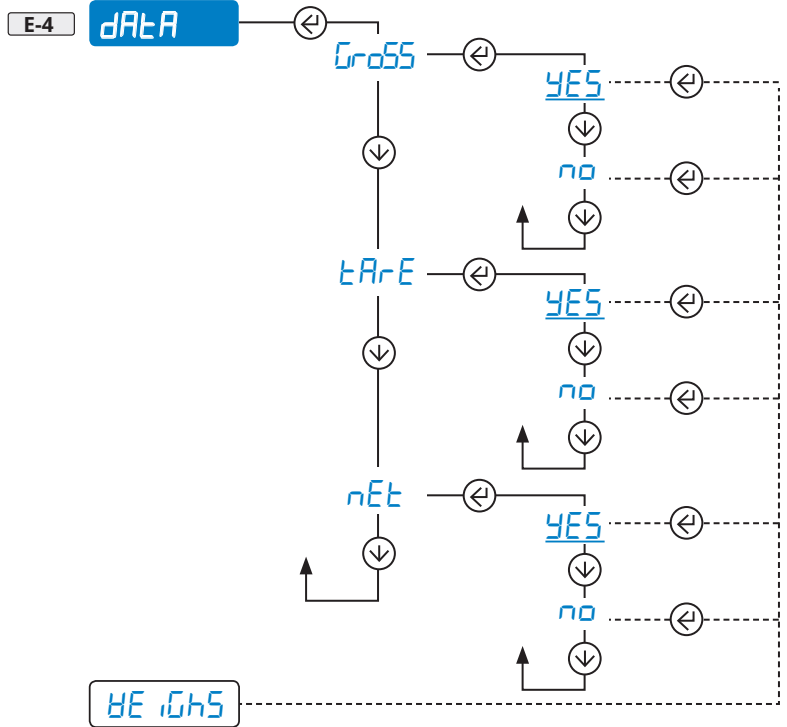
How to save and exit



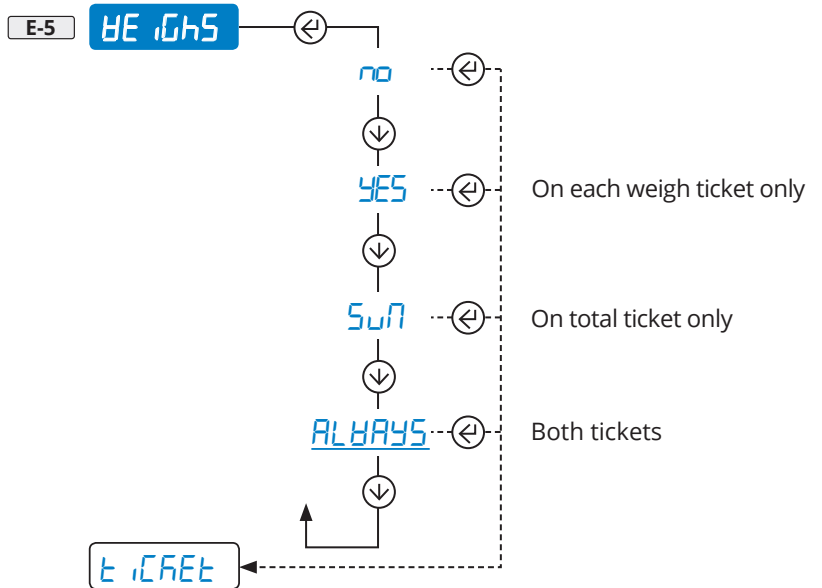
Page 8

- A
- B
- C
- D
- E
 - 1
 - 2
 - 3
 - 4
 - 5
 - 6
 - 7
 - 8
 - 9
 - 10
 - 11
 - 12
 - 13
 - 14
 - 15
 - 16
 - 17
 - 18

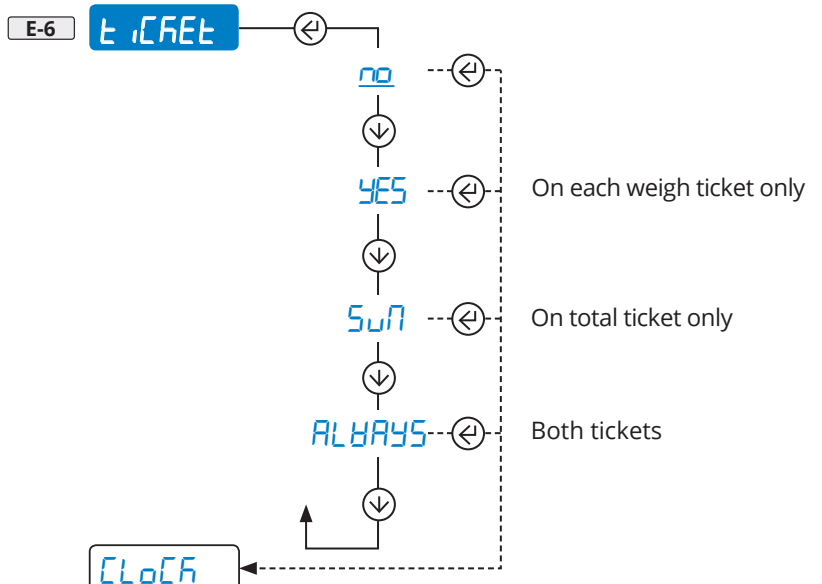
Selection of the weight data



Progressive weighed



Receipt/label progressive



MENU

How to enter

1. Off
2. On
- 3.

Page 8

How to browse

- =
- =
- =
- =

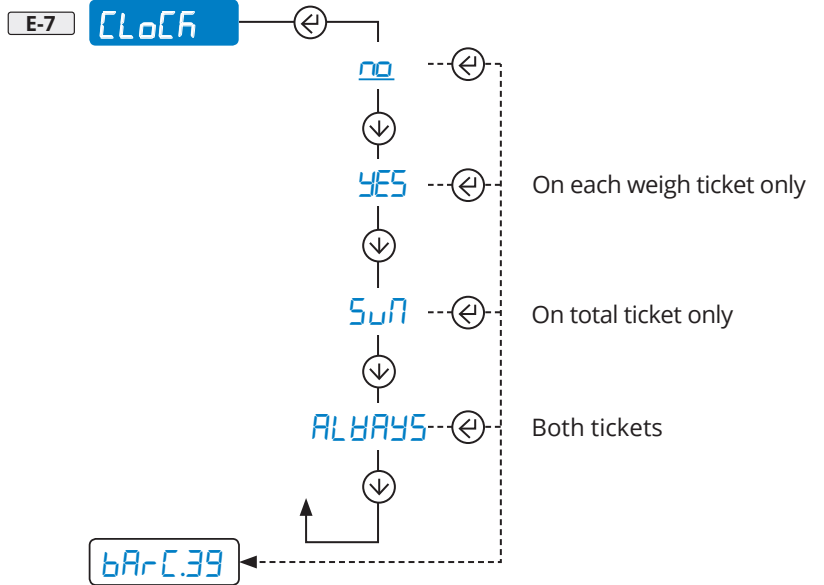
How to save and exit



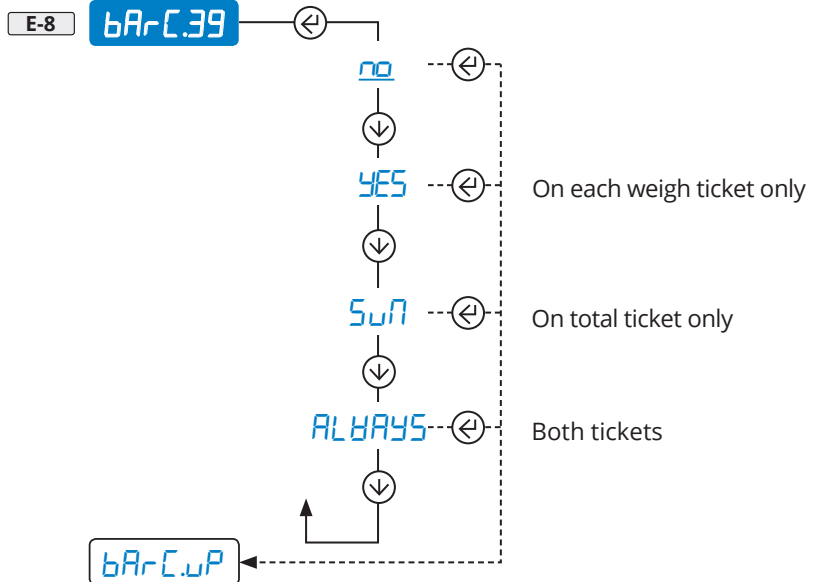
Page 8

- A
 - B
 - C
 - D
 - E
 - F
 - G
 - H
 - I
 - J
 - K
 - L
 - M
 - N
 - O
 - P
 - Q
- 1
 - 2
 - 3
 - 4
 - 5
 - 6
 - 7
 - 8
 - 9
 - 10
 - 11
 - 12
 - 13
 - 14
 - 15
 - 16
 - 17
 - 18

Date and time

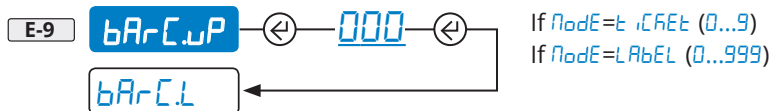


Bar code 39



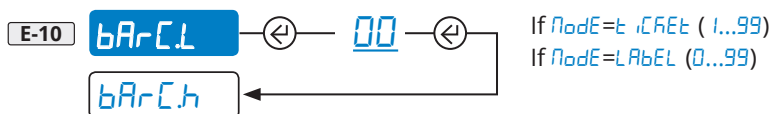
Barcode top margin (mm)

Visible only if bARc.39 (E-8) is active



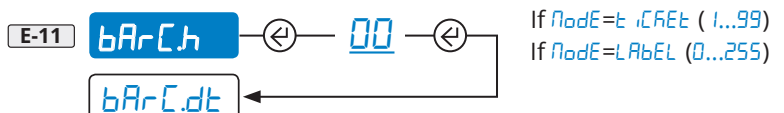
Barcode left margin (mm)

Visible only if bARc.39 (E-8) is active



Barcode height (mm)

Visible only if bARc.39 (E-8) is active





MENU

How to enter

- 1. Off
- 2. On
- 3.

Page 8

How to browse

- =
- =
- =
- =

How to save and exit

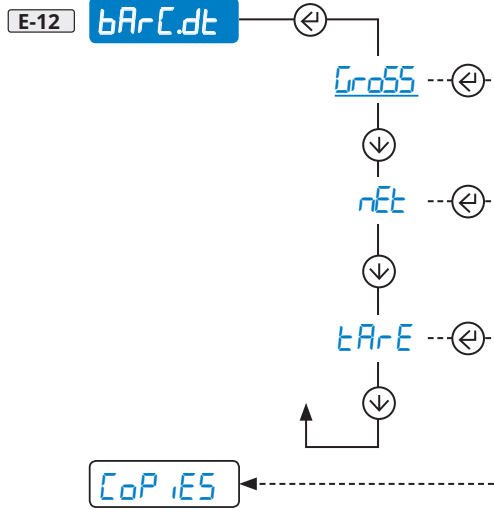


Page 8

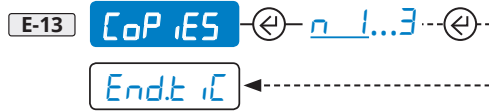
- A
- B
- C
- D
- E
 - 1
 - 2
 - 3
 - 4
 - 5
 - 6
 - 7
 - 8
 - 9
 - 10
 - 11
 - 12
 - 13
 - 14
 - 15
 - 16
 - 17
 - 18

Selection of the weight data

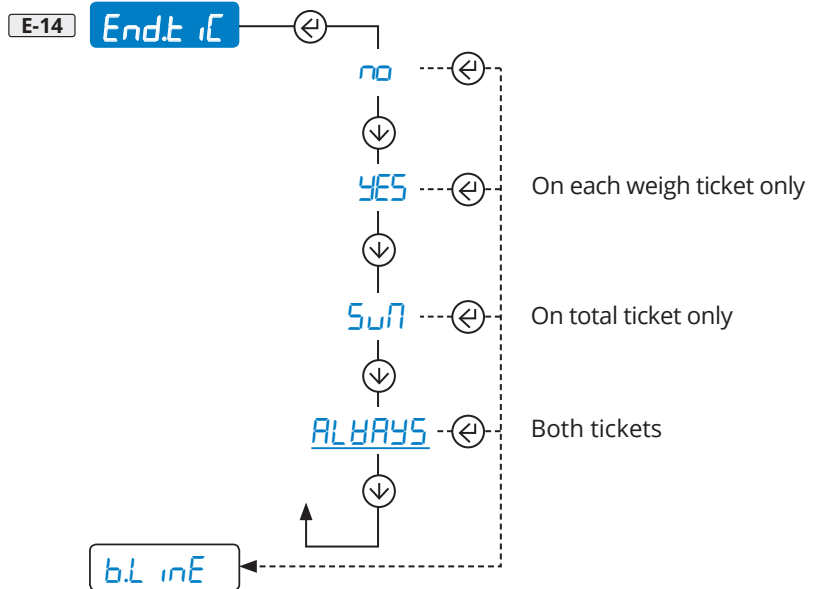
Visible only if bARc.39 (E-8) is active



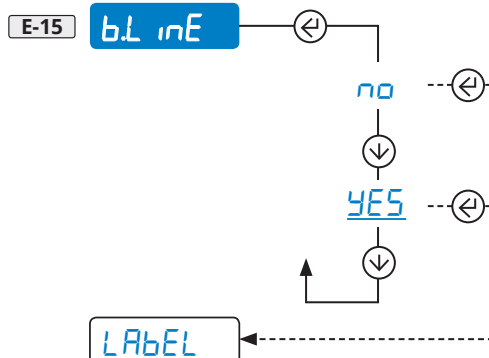
Multi-copy prints



Paper outlet for end of label/receipt



White pre-heating line of the print head (for thermal printer only)



MENU

How to enter

- Off
- On
-

Page 8

How to browse

- =
- =
- =
- =

How to save and exit

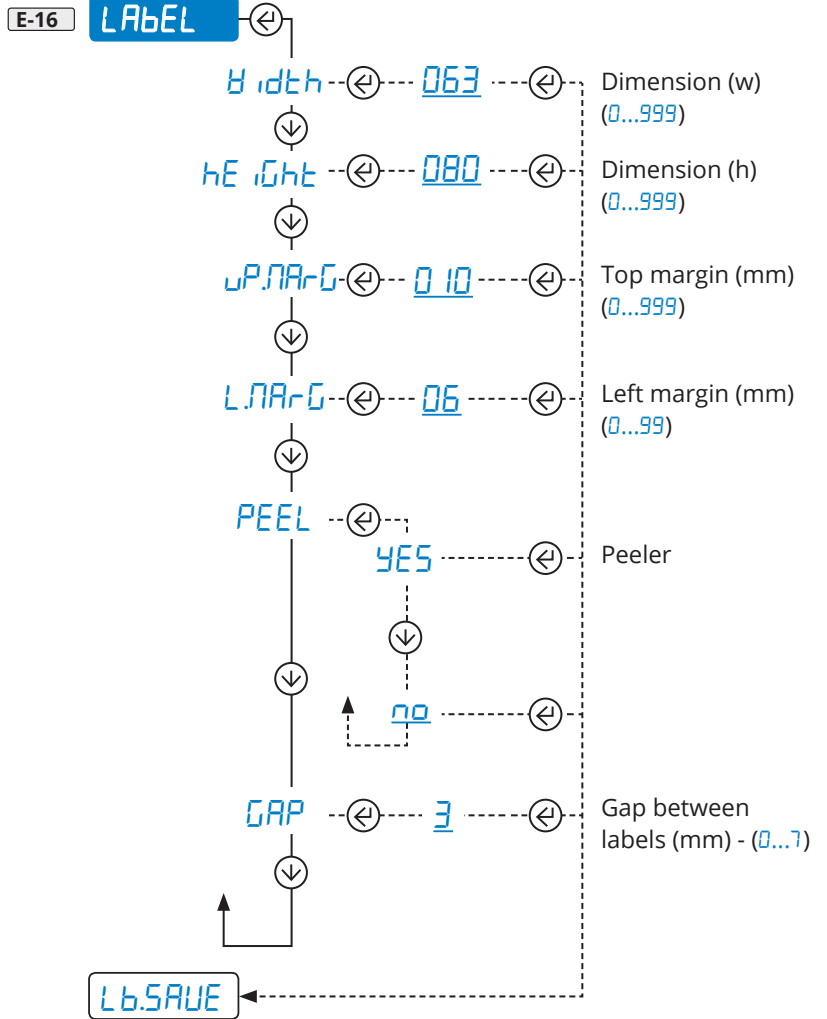


Page 8

- A **CAL**
- B **OCAL**
- C **GRAU**
- D **SERIAL**
- E **LAYOUT**
 - 1 **LANG**
 - 2 **CHAR**
 - 3 **HEADER**
 - 4 **DATA**
 - 5 **HEIGHTS**
 - 6 **TEXTSET**
 - 7 **CLOCK**
 - 8 **BARCL39**
 - 9 **BARCLUP**
 - 10 **BARCL**
 - 11 **BARCLh**
 - 12 **BARCLdt**
 - 13 **COPYES**
 - 14 **ENDTIC**
 - 15 **BLINE**
 - 16 **LABEL**
 - 17 **Lb.SAVE**
 - 18 **TEST**

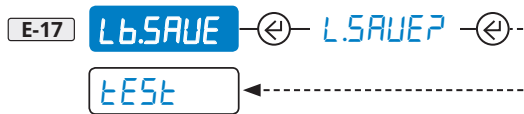
Label configuration

Visible only if $\text{ModE (D-2-1)} = \text{LABEL}$

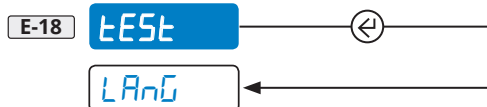


Saving of labels in the printer memory



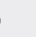
Visible only if $\text{ModE (D-2-1)} = \text{LABEL}$



Saving of labels in the printer memory (for label mode only) and test print of ALL FORMATS











How to enter

1. Off 
2. On 
3. 

 Page 8

How to browse

-  = 
-  = 
-  = 
-  = 

How to save and exit




 Page 8

- A CAL
- B D.CAL
- C GrAU
- D SEr iAL
- E LAYout
- F **F iLteR**
- G SCrEEr 1 StAnd.0
- H bAt 3
- I ECo.bAt 4 StAnd.3
- J AutoFF 5 h iRES.0
- K rENotE 12 h iRES.7
- L An.out 13 dYn.0
- M inPutS
- N outPut 16 dYn.3
- O rESEt 17 SLoB.0
- P d iAG
- Q AdUAnC 20 SLoB.3
- 21 doS.0
- 24 doS.3
- 25 rAdC 0
- 28 rAdC S



Edits scale reactivity.
Useful to adjust the scale to your needs.

 With the approved instrument, you can select only some of the filters listed below (StAnd.0...3, h iRES.0-1, dYn.0-1, SLoB.0-1).


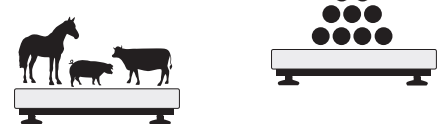


To weigh live animals, you must also activate the additional filter no iSE in AdUAnC.

Premise:

The "0" represents minor filtering incidence.
Increasing the incidence give the weight more stability.
We recommend weighing several times, changing the incidence until you obtain the best compromise between reactivity and stability.

Table and floor scales and piece counters

- F-1 StAnd.0 
- ...
- F-4 StAnd.3 




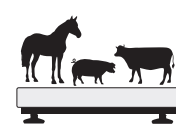
High precision scales

- F-5 h iRES.0 
- ...
- F-12 h iRES.7



Suspended and oscillating load weighing

- F-13 dYn.0 
- ...
- F-16 dYn.3

Liquid weighing, weighbridges and weighing with vibrations

- F-17 SLoB.0 
- ...
- F-20 SLoB.3 
- ...
-  

Metering, filling, level check and overloads

- F-21 doS.0 
 - ...
 - F-24 doS.3 
- Automatic Manual

Filter for specific applications for use by the manufacturer

- F-25 rAdC 0
- ...
- F-28 rAdC S

How to enter

1. Off
2. On
- 3.

Page 8

How to browse

- =
- =
- =
- =

How to save and exit



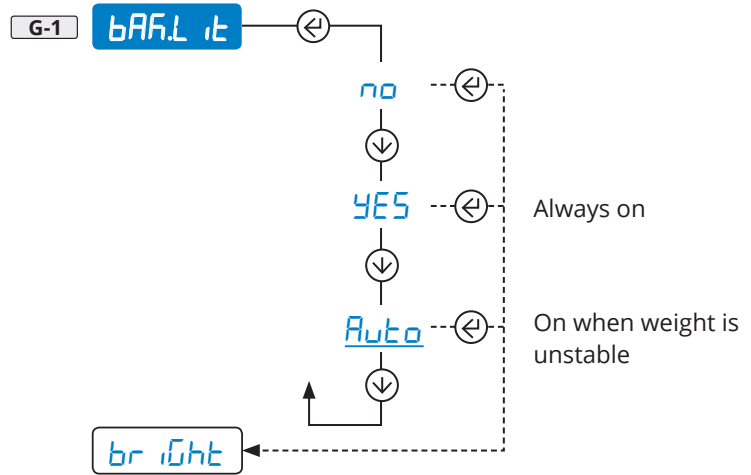
Page 8

- A
- B
- C
- D
- E
- F
- G
 - 1
 - 2
 - 3
 - 4
- H
- I
- J
- K
- L
- M
- N
- O
- P
- Q

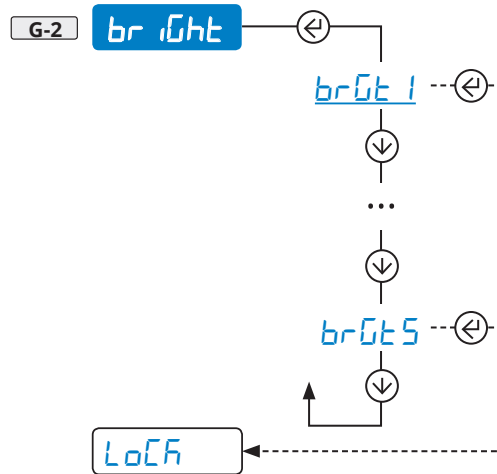
SCrEEen Adjusting the display



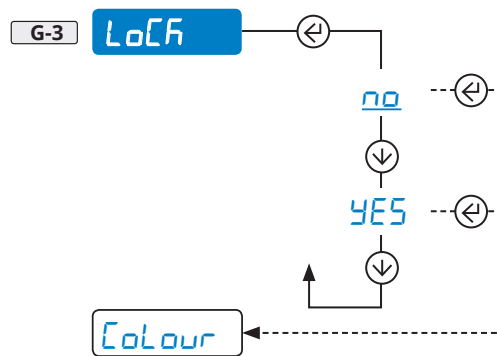
Backlighting



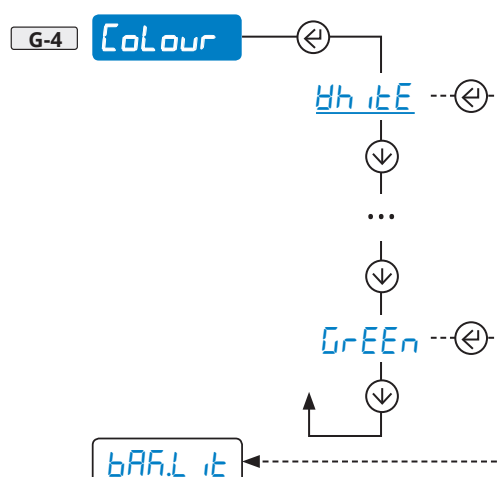
Brightness



Display lock (for use by the manufacturer)



Backlighting colour



Only in version with colour display.

MENU

How to enter

1. Off
2. On
- 3.

Page 8

How to browse

- =
- =
- =
- =

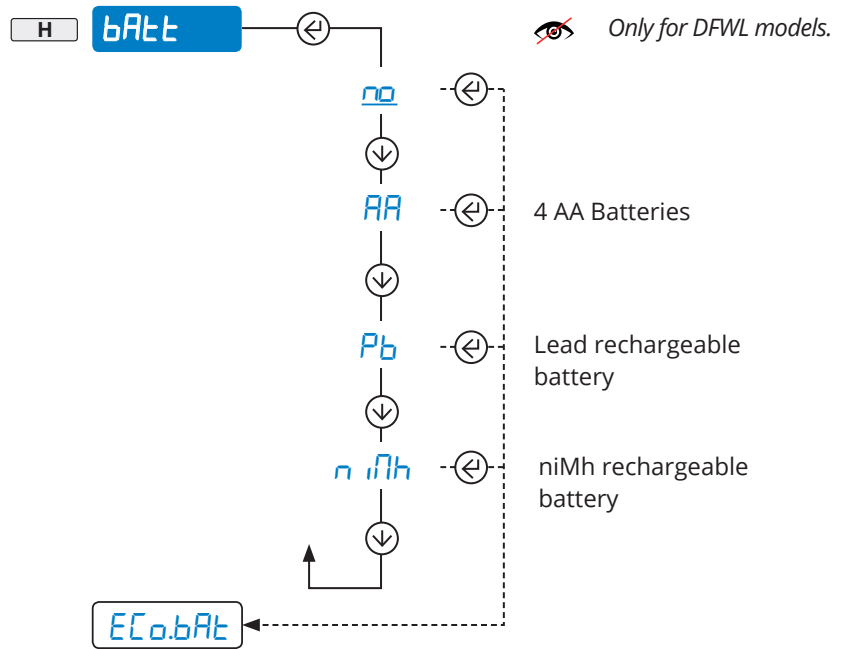
How to save and exit



Page 8

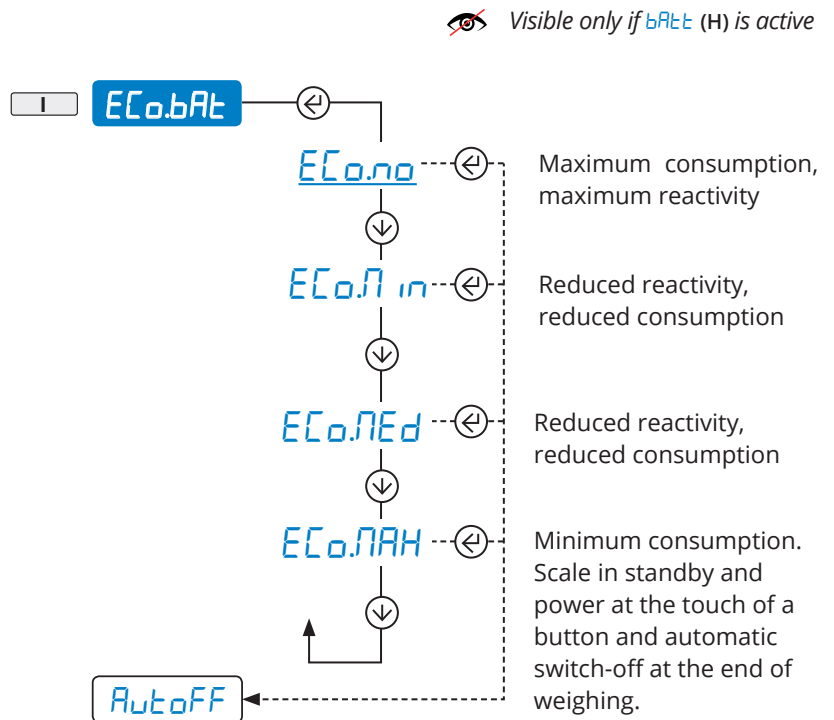
- A CAL
- B O.CAL
- C GrAU
- D SEr iAL
- E LAYout
- F iLteR
- G SCrEEen
- H **bAtE**
- I **ECobAtE**
- J AutoFF
- K rENotE
- L An.out
- M inPutS
- N outPut
- O rESEt
- P d iAG
- Q AdUAnC

bAtE Power supply via battery



WARNING:
only use original rechargeable batteries.

ECobAtE Energy saving for battery operation



MENU

How to enter

1. Off
2. On
- 3.

Page 8

How to browse

- =
- =
- =
- =

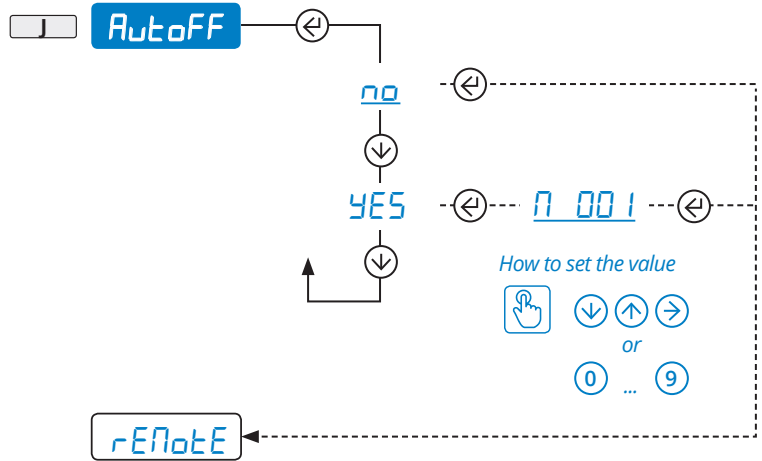
How to save and exit



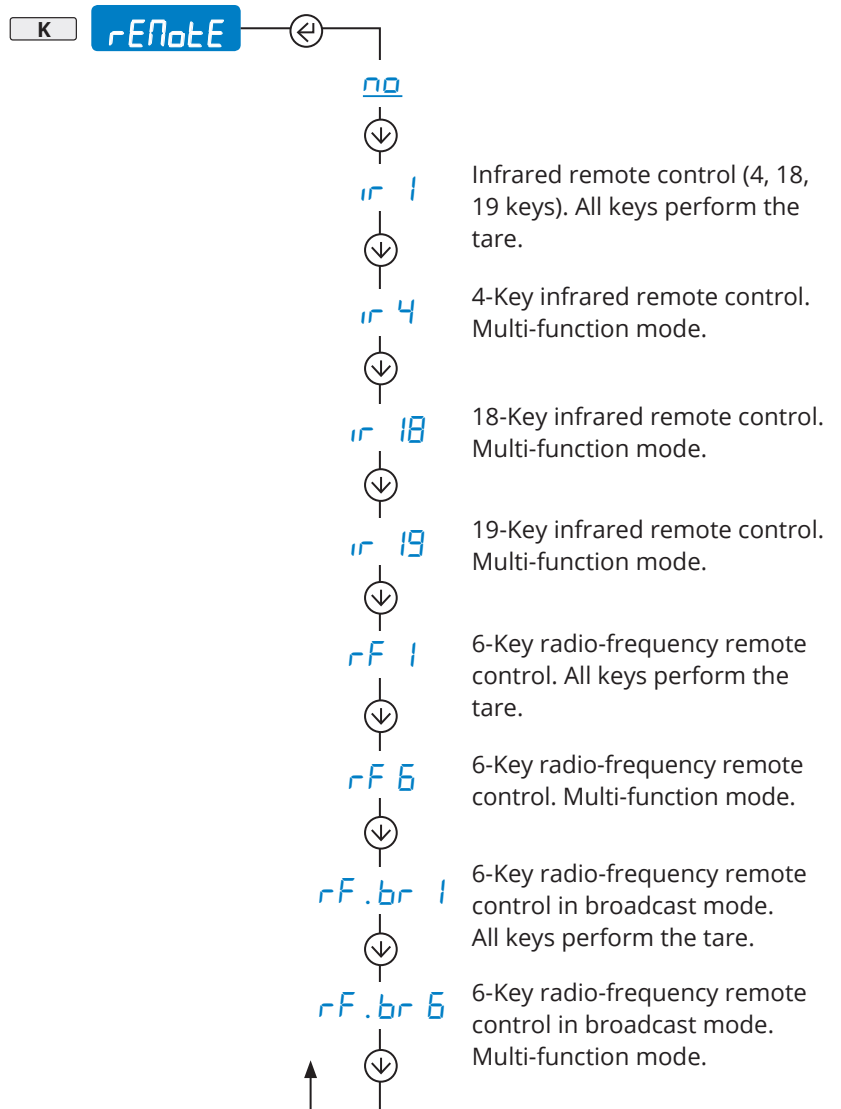
Page 8

- A CAL
- B D.CAL
- C GrAU
- D SEr iAL
- E LAYout
- F iLteR
- G SCrEEn
- H bAtt
- I ECo.bAt
- J AutoFF
- K rENotE
- L An.out
- M inPutS
- N outPut
- O rESEt
- P d iAG
- Q AdVAnC

AutoFF Auto off



rENotE Remote control



The broadcast mode allows sending the control to multiple scales simultaneously.





How to enter

1. Off
2. On
- 3.

Page 8

How to browse

- =
- =
- =
- =

How to save and exit

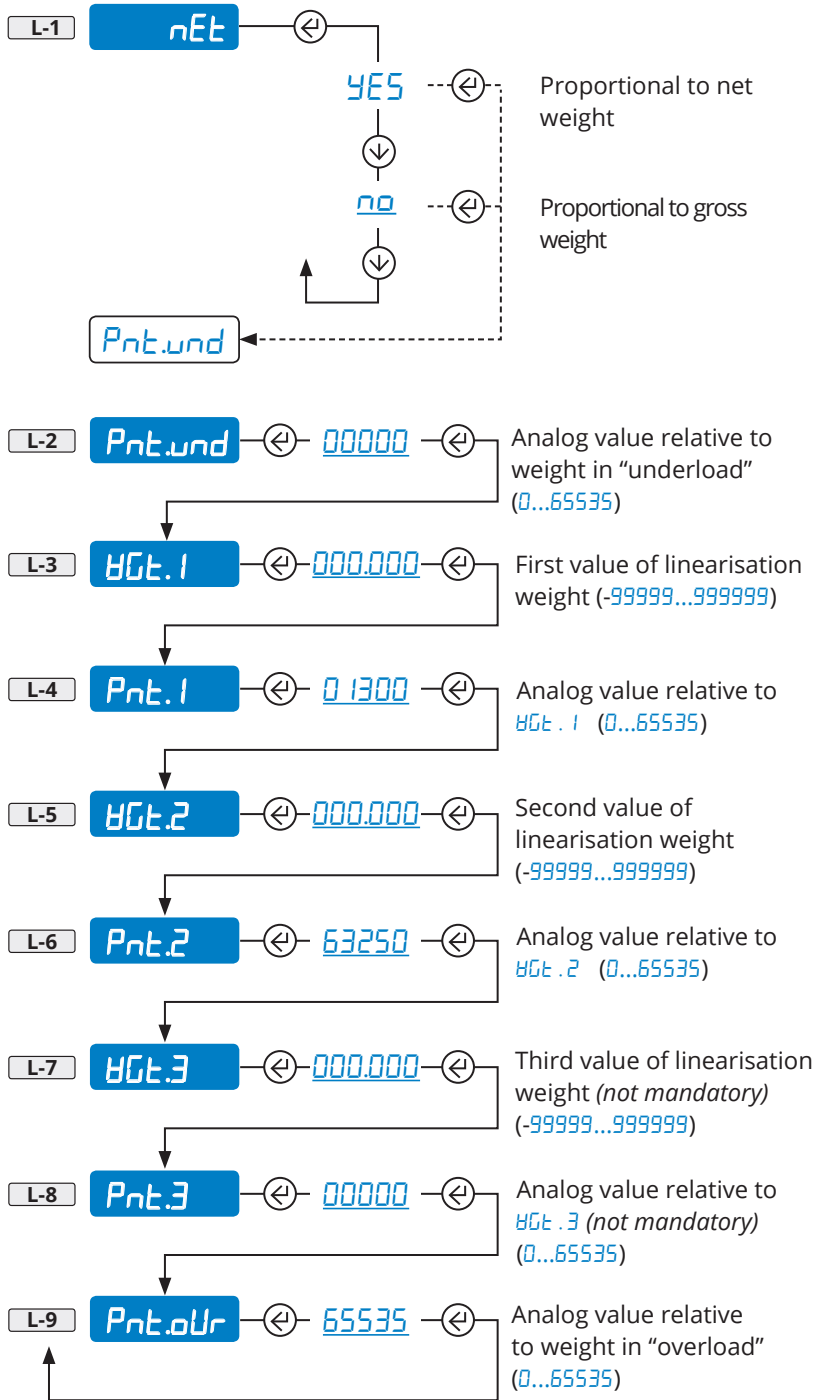


Page 8

- A
- B
- C
- D
- E
- F
- G
- H
- I
- J
- K
- L **An.out**
 - 1
 - 2
 - 3
 - 4
 - 5
 - 6
 - 7
 - 8
 - 9
- M
- N
- O
- P
- Q

Visible only in the presence of optional analog board.

Operation proportional to the net/gross weight



Thanks to the real-time upgrading of the output, using a tester you can check the value entered (see example page 30).

Value to be entered	Output volts	Output mA
1200	~ 0 V	~ 0 mA
11250		~ 4 mA
52200		~ 20 mA
62300	~ 10 V	

MENU

How to enter

1. Off
 2. On
 - 3.
- Page 8

How to browse

- =
- =
- =
- =

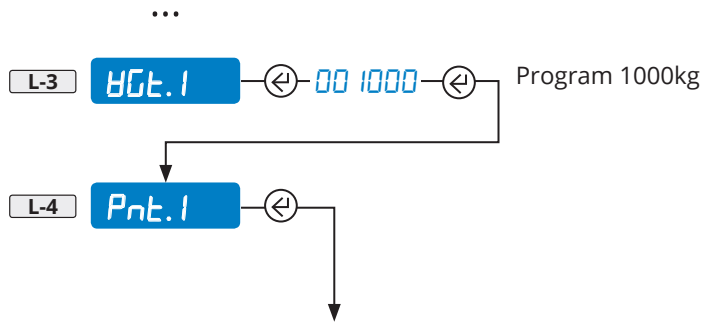
How to save and exit



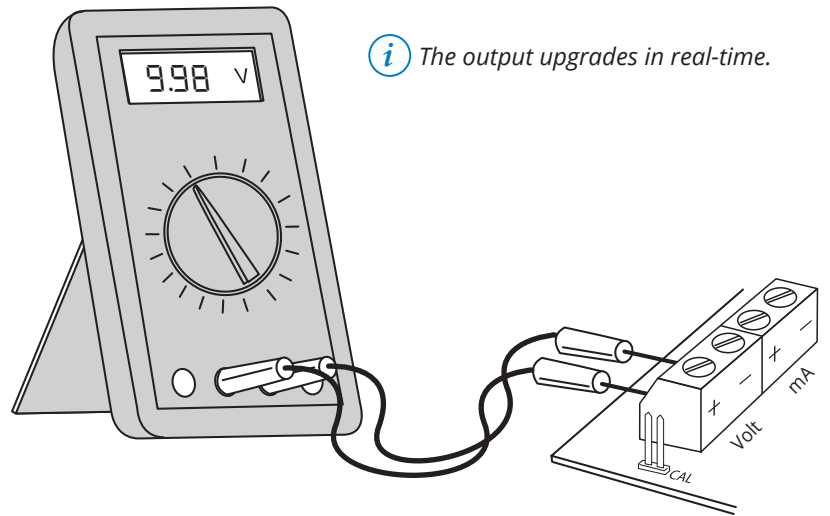
- A CAL
- B D.CAL
- C GrAU
- D SEr iAL
- E LAYout
- F iLteR
- G SCrEEen
- H bAtt
- I ECo.bAt
- J AutoFF
- K rENotE
- L An.out
 - 1 nEt
 - 2 Pnt.und
 - 3 Hgt.1
 - 4 Pnt.1
 - 5 Hgt.2
 - 6 Pnt.2
 - 7 Hgt.3
 - 8 Pnt.3
 - 9 Pnt.oUr
- M inPutS
- N outPut
- O rESEt
- P d iAG
- Q AdVAnC

Programming example:

we want to program a linearisation point so that at 1000kg, the analog output supplies 10V.

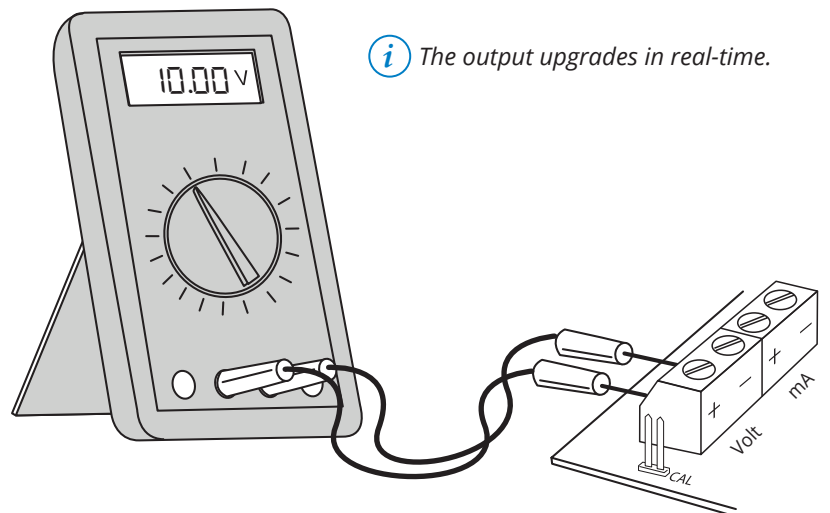


Enter 62300 (the reference value in the table) and check the analog output using a tester.



Adjust the analog output by increasing or decreasing the value. We recommend minimal changes of at least 10 points, (62310, 62320, 62330, etc.)

How to set the value



Once the desired adjustment has been made, confirm the value with .

MENU

How to enter

1. Off
2. On
- 3.

Page 8

How to browse

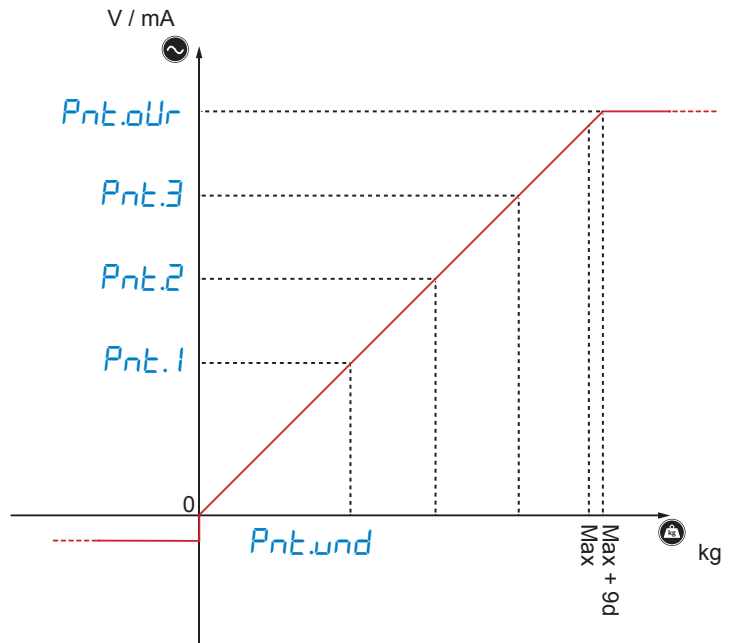
- =
- =
- =
- =

How to save and exit



Page 8

- A CAL
- B D.CAL
- C GrAU
- D SEr iAL
- E LAYout
- F iLteR
- G SCrEEen
- H bAtte
- I ECobAt
- J AutoFF
- K rENotE
- L An.out
- M **inPutS**
 - 1 inP.b.1
 - 2 inP.b.2
 - 3 inP.b.3
 - 4 inP.b.4
- N outPut
- O rESEt
- P d iAG
- Q AdVAnC

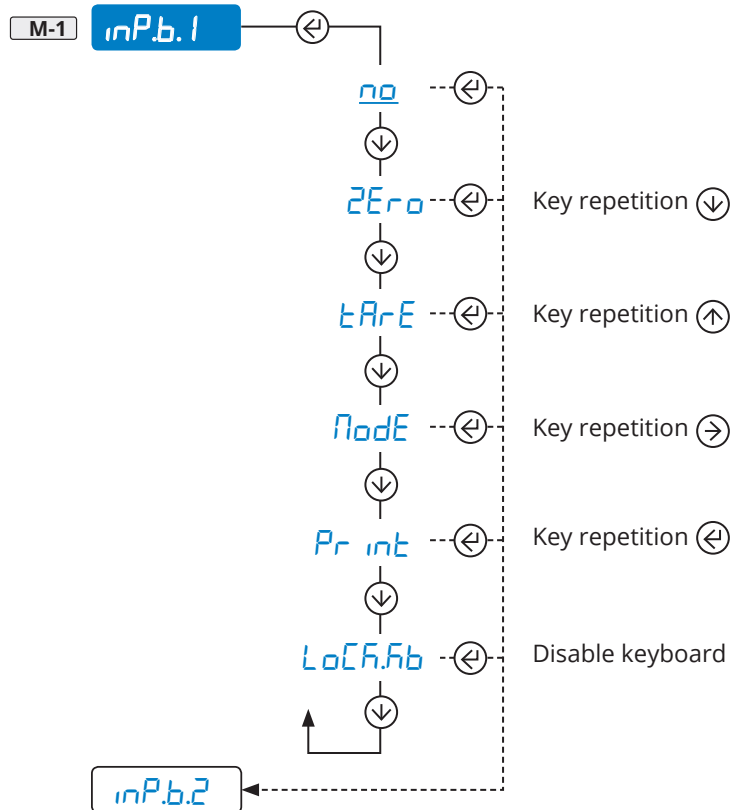


inPutS Digital inputs



Visible only in the presence of optional inputs/outputs electronic board.

Input 1 configuration



Repeat the same operation for inP.b.2, inP.b.3 e inP.b.4.

How to enter

1. Off
2. On
- 3.

Page 8

How to browse

- =
- =
- =
- =

How to save and exit



Page 8

A CAL

B O.CAL

C GrAU

D SEr iAL

E LAYout

F iLteR

G SCrEEen

H bAtte

I ECobAt

J AutoFF

K rENotE

L An.out

M inPutS

N outPut

O rESEt

P d iAG

Q AdVAnC

1 rELb.1

2 rELb.2

3 rELb.3

4 rELb.4

1 FunCt

2 Node

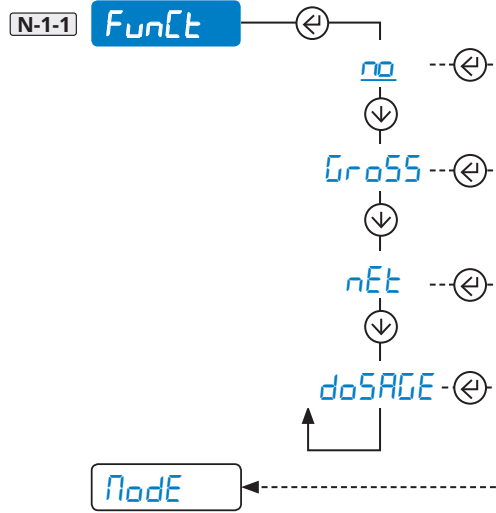
3 d irECt

4 h iStEr



Visible only in the presence of optional inputs/outputs electronic board.

Operation on net weight, gross weight or dosage

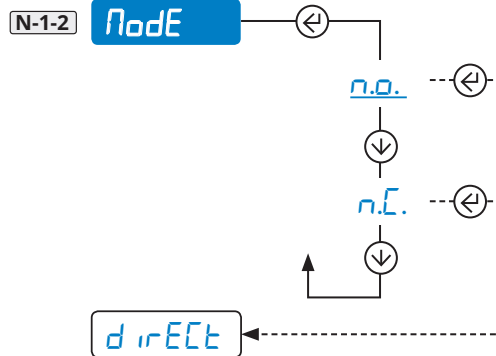


For dosage / filling:

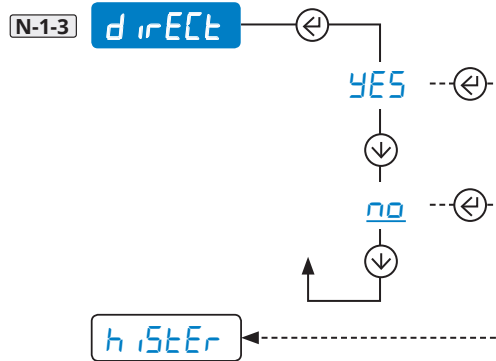
- Start the doSAGE mode
- Set the unLoAd unladen weight.

The output is activated only after having set the unladen weight of the container (by key or via external button) and is turned off once the set target (setpoint) has been achieved. To perform fills at two speeds, you must programme two outputs in doSAGE mode.

Normally open (n.o.) or closed (n.c.) operation



Output activation mode

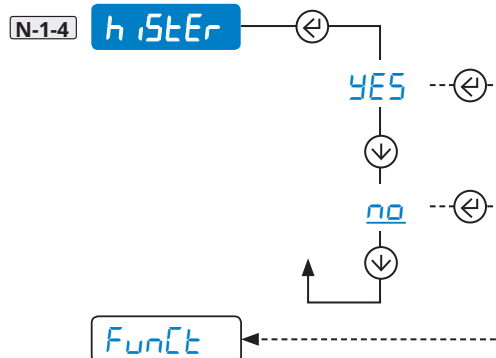


Direct, when weight is table or unstable

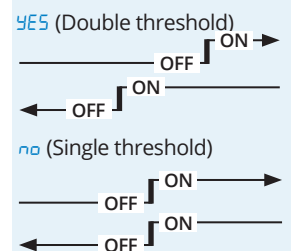
Only when weight is stable

Double threshold operation

(activation weight threshold ≠ from output deactivation weight threshold)



Operation:



Repeat the same operation for rELb.2, rELb.3 and rELb.4.

MENU

How to enter

1. Off
2. On
- 3.

Page 8

How to browse

- =
- =
- =
- =

How to save and exit



Page 8

A CAL

B D.CAL

C GrAU

D SEr iAL

E LAYout

F iLteR

G SCrEEen

H bAtte

I ECoBAte

J AutoFF

K rENotE

L An.out

M inPutS

N outPut

O rESEt

P d iAG

Q AdUAnC

1 AdC.uU

2 d iSPLA

3 KEyb

4 CtS

5 outPut

6 inPutS

7 An.out

8 SEr.nuN

9 PrG.UEr

10 d iU. int

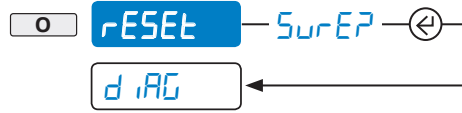
11 AdC.Pnt

12 bt.AdC

13 PH.AdC

14 SEr iAL

rESEt Factory configuration reset



Function resetting the factory configurations while maintaining the calibration in the memory unchanged.

d iAG Diagnostics



P-1 AdC.uU

Converter. Check of input signal in μV . In case of more equalised channels, press or to examine all the selected channels.

P-2 d iSPLA

Display. Integrity check of all segments and icons.

P-3 KEyb

Keyboard. Press any key to verify its correct operation, with beep and code on display.

P-4 CtS

CTS. Check of status of the control signal from the printer.

P-5 outPut

Optional digital outputs. Check the activation and deactivation of each contact.

Example: *out 1* activates output 1. Press to select the next output.

WARNING: before entering the *outPut* pitch, verify that the activation of the output does not cause dangerous conditions for people, animals or property.

P-6 inPutS

Optional digital inputs. Check the activation and deactivation of each input.

Example: *in 1-0* input not active

Example: *in 1-1* input active

Press to select the next input.

P-7 An.out

Analog output. Enter the digital value and using a tester check the response of the analog output.

P-8 SEr.nuN

Serial number of the scale.

P-9 PrG.UEr

Hardware revision (e.g. *rEU 5*) followed by software version (e.g. *04.00.00*).

P-10 d iU. int

For use by the manufacturer.

P-11 AdC.Pnt

For use by the manufacturer.

P-12 bt.AdC

For use by the manufacturer.

P-13 PH.AdC

For use by the manufacturer.

P-14 SEr iAL

For use by the manufacturer.





MENU

How to enter

1. Off
2. On
- 3.

Page 8

How to browse

- =
- =
- =
- =

How to save and exit



Page 8

A CAL

B D.CAL

C GrAU

D SEr iAL

E LAYout

F iLteR

G SCrEEen

H bAtte

I ECobAt

J AutoFF

K rENotE

L An.out

M inPutS

N outPut

O rESEt

P d iAG

Q AdUAnC

1 CAL.PAr

2 EQwALP

3 CAL.AdU

4 no iSE

5 nEtrol

6 REYb

7 t iLte

8 rEAct

9 LoCFAb

10 AL ib iR

11 P in.tEC

12 P in.wSE

13 dFLt.t

1 dEC iN

2 d iU

3 uA.

4 rAnGE 1

5 rAnGE 2

6 rAnGE 3

7 EQwAL

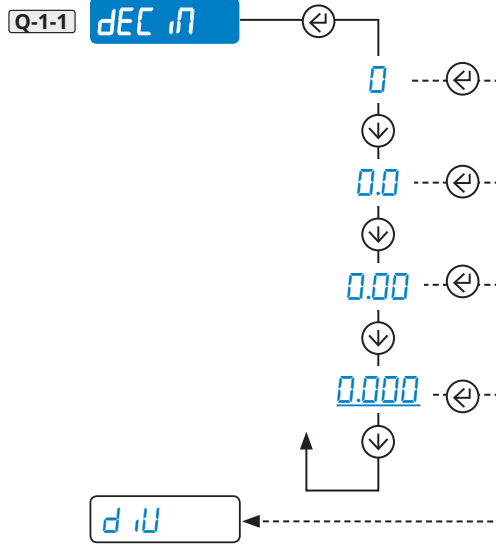
8 n.ChAn



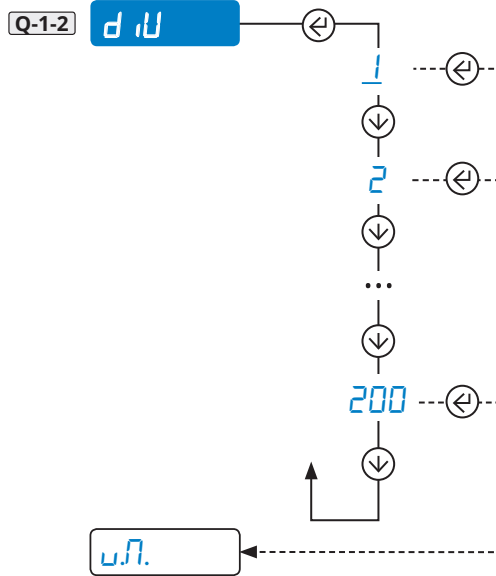
CAL.PAr Calibration parameters



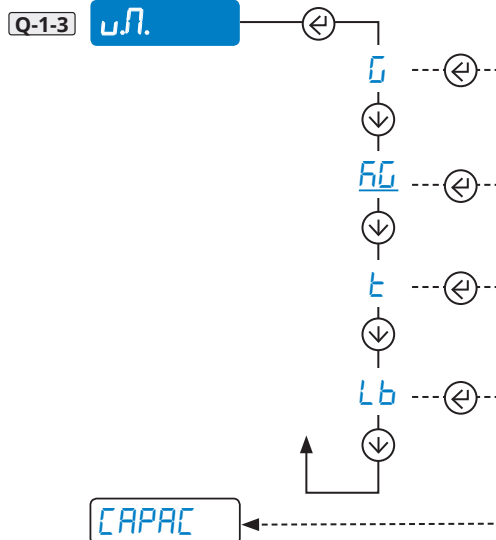
Configuration of the decimal point (0...3)



Reading division



Unit of measure



MENU

How to enter

- Off
- On
-

Page 8

How to browse

- =
- =
- =
- =

How to save and exit



Page 8

A CAL

B O.CAL

C GrAU

D SEr iAL

E LAYout

F iLteR

G SCrEEen

H bAtte

I ECobAt

J AutoFF

K rENotE

L An.out

M inPutS

N outPut

O rESEt

P d iAG

Q AdUAnC

1 CAL.PAr

2 EQUAL.P

3 CAL.ADU

4 no iSE

5 NEtrol

6 REYb

7 t iLte

8 rEAct

9 LoCkAb

10 AL ib iR

11 P in.tEC

12 P in.uSE

13 dFLt.t

1 dEC iN

2 d iU

3 u.n.

4 rAnGE 1

5 rAnGE 2

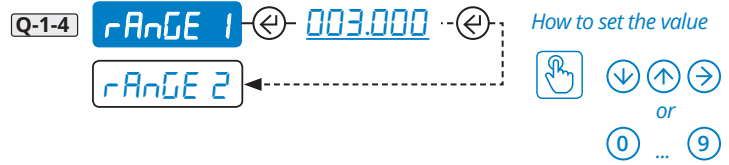
6 rAnGE 3

7 EQUAL

8 n.ChAn

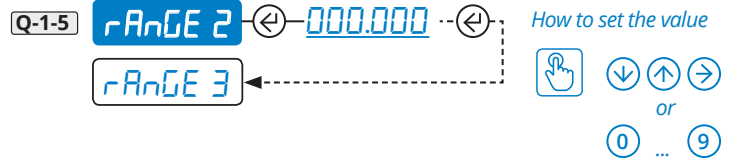


Scale capacity. Set Max or Range 1 (Max range = 800.000)



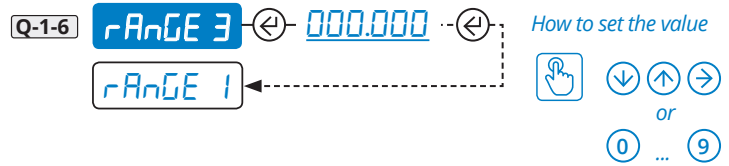
Range 2

For multirange scales, set the second weighing range.



Range 3

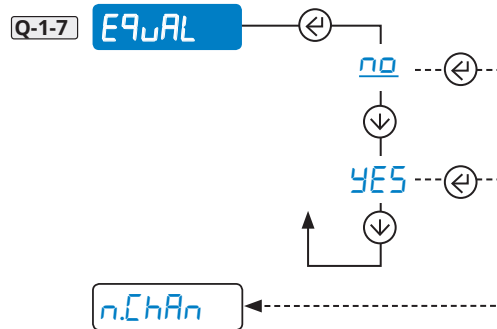
For multirange scales, set the third weighing range.



Example of multirange configuration at 1500/3000 kg, division 0.5/1 kg.

Set: $dEC i = 0.0$
 $d iU = 5$
 $rAnGE 1 = 1500.0$
 $rAnGE 2 = 3000.0$

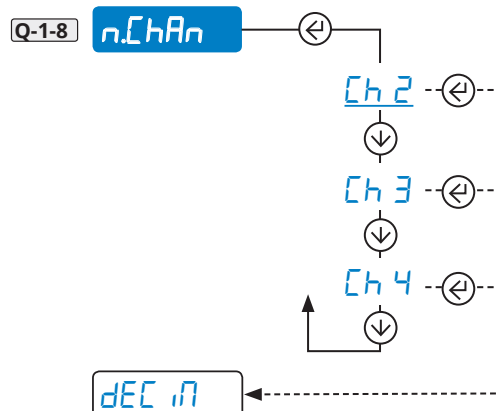
Equalisation function






Connection diagram on page 7.
 Equalisation procedure on page 36.

Equalised analog channels

Visible only if EQUAL(Q-1-7)= YES











How to enter

1. Off 
2. On 
3. 

 Page 8

How to browse

-  = 
-  = 
-  = 
-  = 

How to save and exit



 Page 8

A **CAL**

B **0.CAL**

C **GrAU**

D **SEr iAL**

E **LAYout**

F **F iLteR**

G **SCrEEen**

H **bAtte**

I **ECobAt**

J **AutoFF**

K **rENotE**

L **An.out**

M **inPutS**

N **outPut**

O **rESEt**

P **d iAG**

Q **AdUAnC**

1 **CALPAR**

2 **EQUALP**

3 **CALAdU**

4 **no iSE**

5 **NEtrol**

6 **AEYb**

7 **t iLt**

8 **rEAct**

9 **LoCFAb**

10 **AL iB iR**

11 **P in.tEC**

12 **P in.uSE**

13 **dFLt.t**

1 **E9.0**

2 **E9.1**

3 **E9.2**

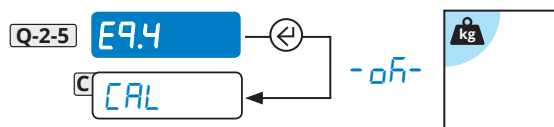
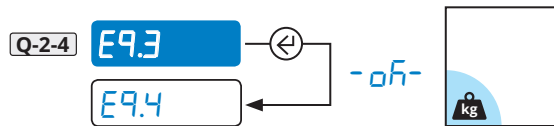
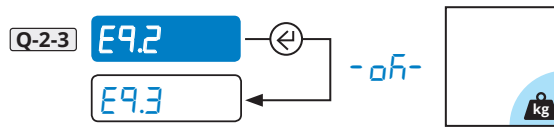
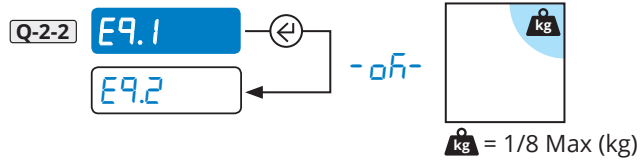
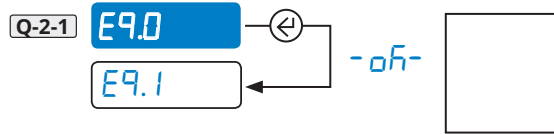
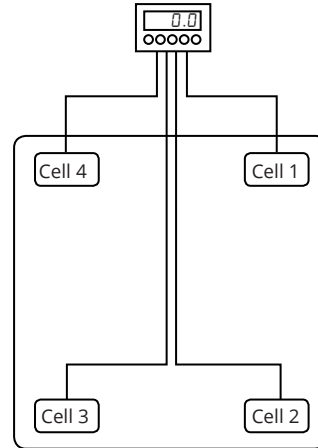
4 **E9.3**

5 **E9.4**




 **EQUALP** is only visible if the function **EQUAL** (Q-1-7) is activated in the menu **CALPAR** (Q-1).

The equalisation wizard asks to acquire the zero point with scale unloaded and to later place a weight of about 1/8 of the maximum capacity (Max) on each individual cell, in the required order. After the procedure the message **E9.off** will appear.

Proceed with the calibration.










How to enter

1. Off 
2. On 
3. 

 Page 8

How to browse

-  = 
-  = 
-  = 
-  = 

How to save and exit



 Page 8

A CAL

B O.CAL

C GrAU

D SEr iAL

E LAYout

F iLteR

G SCrEEen

H bAtte

I ECobAt

J AutoFF

K rENotE

L An.out

M inPutS

N outPut

O rESEt

P d iAG

Q AdUAnC

1 CAL.PAr

2 EQUALP

3 CALAdU

4 no iSE

5 NEtrol

6 REYb

7 t iLte

8 rEAct

9 LoCFAb

10 AL ib iR


11 P in.tEC


12 P in.uSE

13 dFLt.t

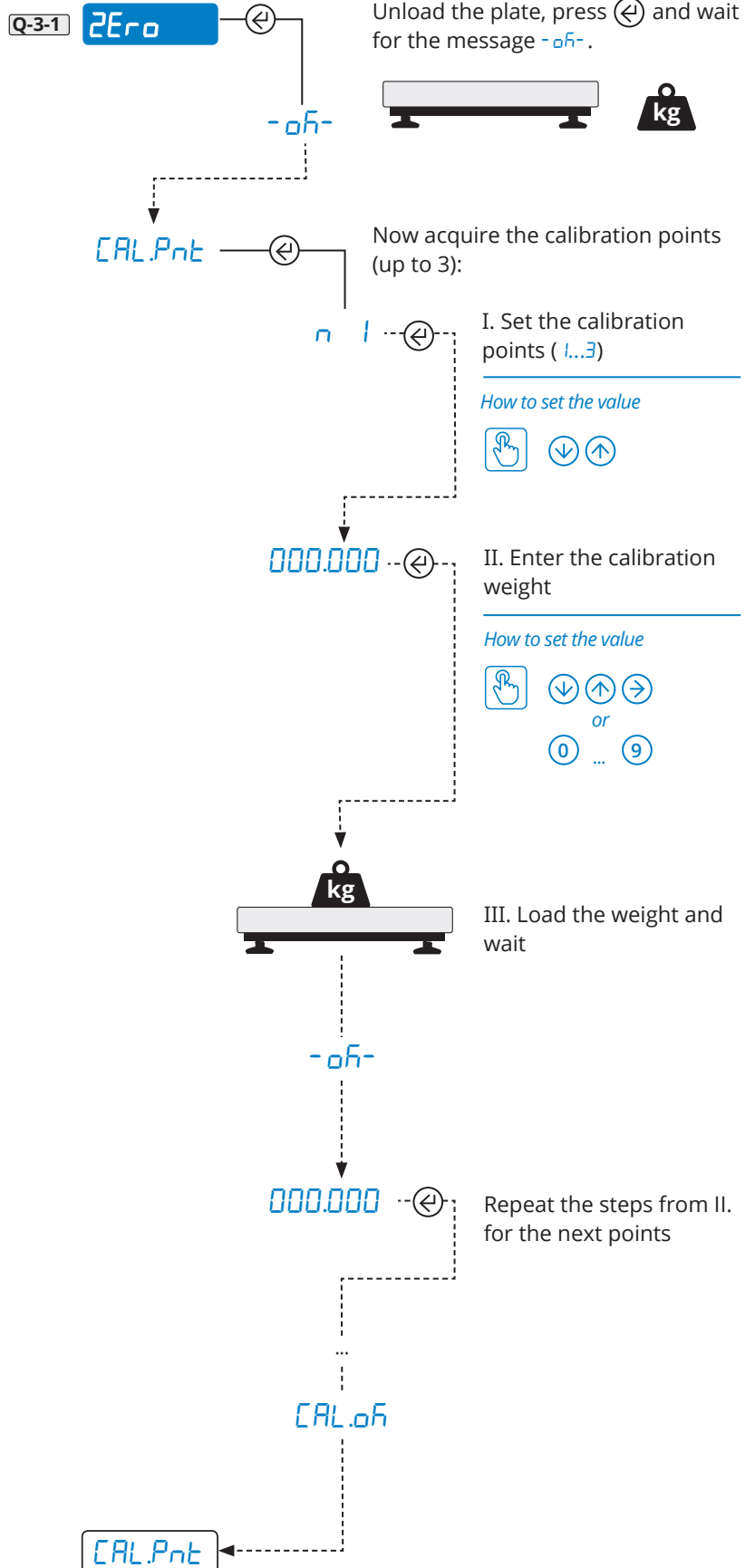
1 2Ero



CALAdU Complete calibration 

 Before calibrating, configure the decimals (dEE i - Q-1-1), the division (d iU - Q-1-2) and the capacity (rAnGE - Q-1-4,5,6).

Start of the calibration procedure:



MENU

How to enter

- Off
- On
-

Page 8

How to browse

- =
- =
- =
- =

How to save and exit



Page 8

A CAL

B O.CAL

C GrAU

D SEr iAL

E LAYout

F iLteR

G SCrEEen

H bAtte

I ECobAt

J AutoFF

K rENotE

L An.out

M inPutS

N outPut

O rESEt

P d iAG

Q AdUAnC

1 CALPAR

2 EQUALP

3 CALADU

4 no iSE

5 NEtrol

6 REYb

7 t iLte

8 rEAct

9 LoCkAb

10 AL ib iR

11 P in.tEC

12 P in.uSE

13 dFLt.t

1 OPErC

2 d iUSttb

3 O.t.r.h

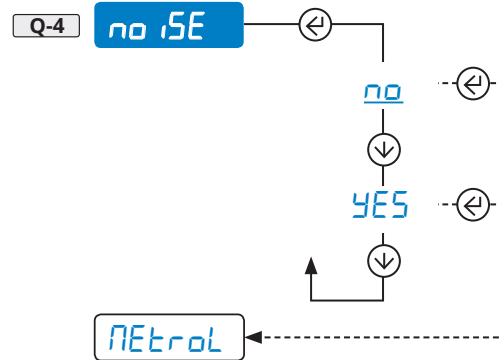
4 on.2Ero

5 CALADU

6 CALiAn

7 d.SALE

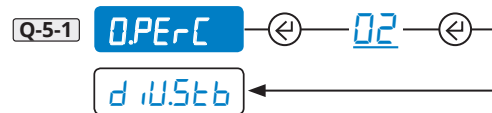
Additional filter for weighing in the presence of vibrations and for weighing live animals.



To weigh live animals, we recommend the combination with filter **StAnd** (F-1,2,3,4) or **SLoB** (F-17,18,19,20). (See page 25)

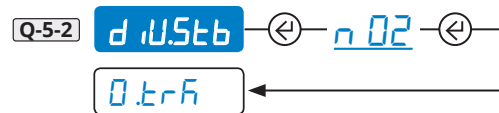
NEtrol Metrological parameter

Reset percentage via key



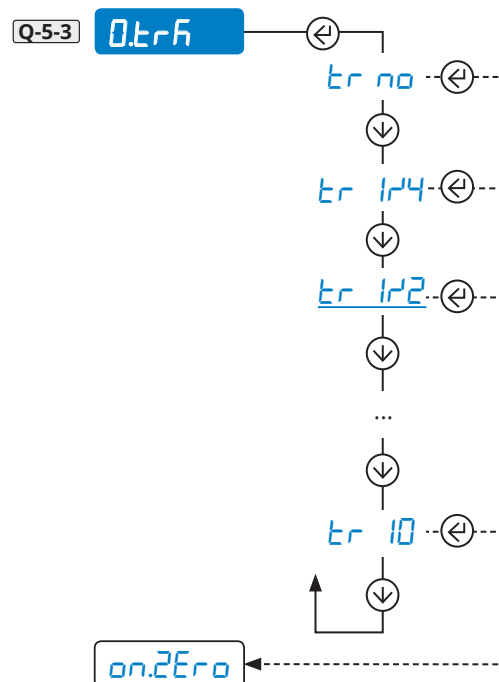
With approved scale (0...2)
With non-approved scale (0...50)

Sensitivity of the weight stability control



(0...20)

Zero hold function (tracking)



MENU

How to enter

- Off
- On
-

Page 8

How to browse

- =
- =
- =
- =

How to save and exit



Page 8

A CAL

B 0.CAL

C GrAU

D SEr iAL

E LAYout

F iLteR

G SCrEEen

H bAtte

I ECoBAte

J AutoFF

K rENote

L An.out

M inPutS

N outPut

O rESEt

P d iAG

Q AdUAnC

1 CAL.PAr

2 EQuALP

3 CAL.AdU

4 no iSE

5 NEtrol

6 KEyb

7 t iLt

8 rEACT

9 LoCkAb

10 AL ib iR

11 P in.tEC

12 P in.uSE

13 dFLt.t

1 0.PErC

2 d iUSteb

3 0.tRr

4 on.2ErO

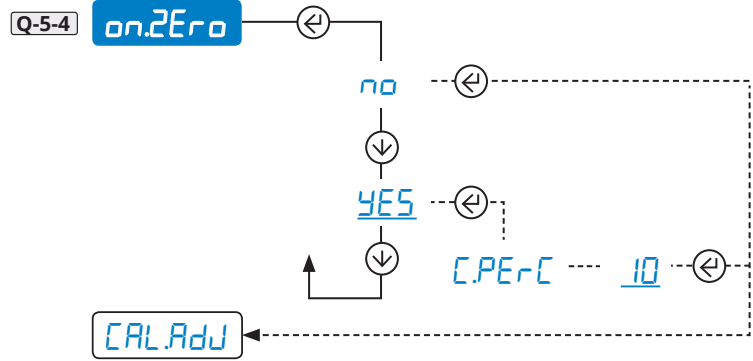
5 CAL.AdU

6 CAL.NAn

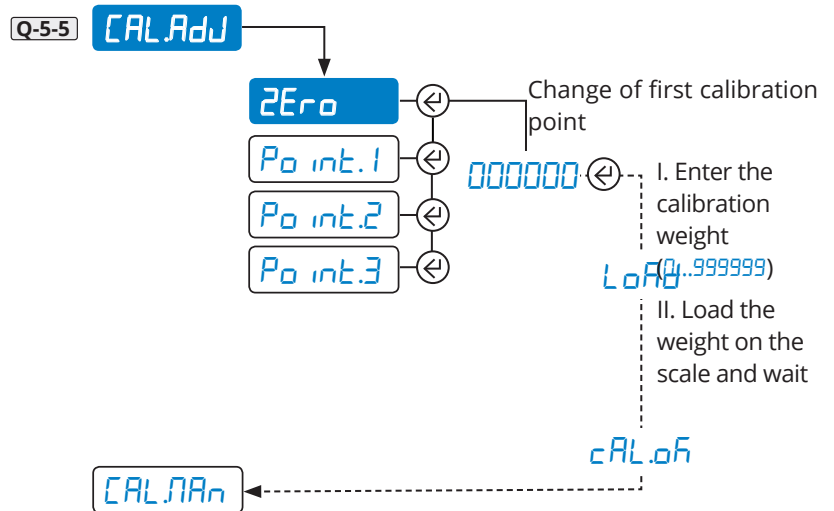
7 d.SALE



Reset at power and reset percentage



Re-acquisition / change of the calibration points in memory.

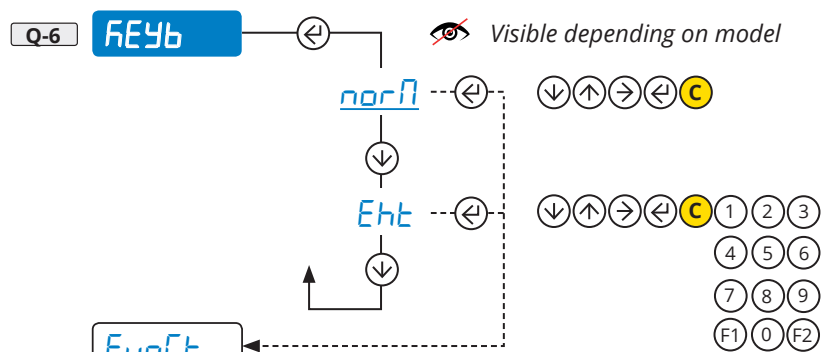


Repeat the same operation for Po int 1, Po int 2 e Po int 3

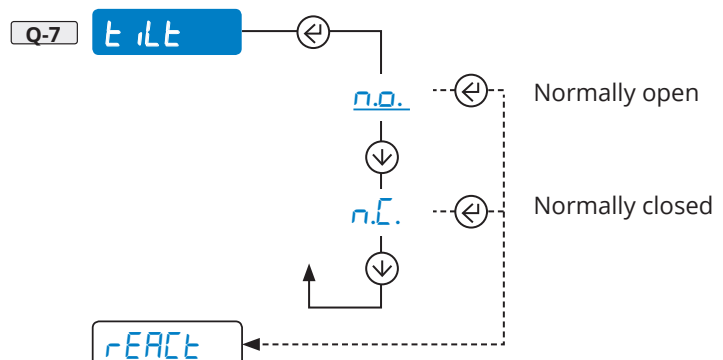
Q-5-6 CAL.NAn For use by the manufacturer.

Q-5-7 d.SALE For use by the manufacturer.

Type of keyboard



Inclinometer (for use by the manufacturer)



MENU

How to enter

1. Off
2. On
- 3.

Page 8

How to browse

- =
- =
- =
- =

How to save and exit



Page 8

A CAL

B O.CAL

C GrAU

D SEr iAL

E LAYout

F FiLteR

G SCrEEen

H bAtte

I ECobAt

J AutoFF

K rENotE

L An.out

M inPutS

N outPut

O rESEt

P d iAG

Q AdUAnC

1 CAL.PAr

2 EQwAL.P

3 CAL.AdU

4 no iSE

5 NEtrol

6 rEYb

7 t iLt

8 rEAct

9 LoCkAb

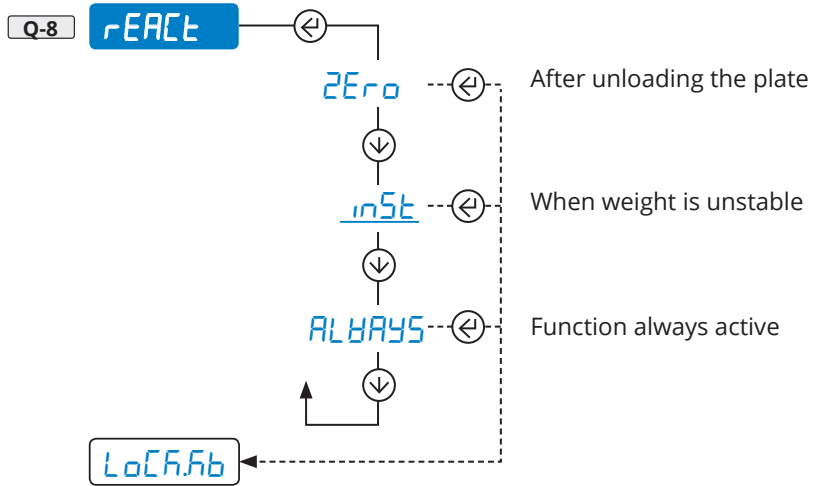
10 AL ib ir

11 P in.tEC

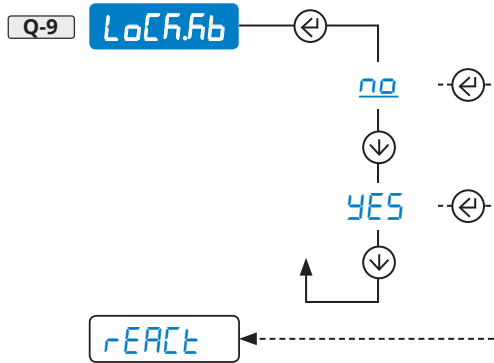
12 P in.uSE

13 dFLt.t

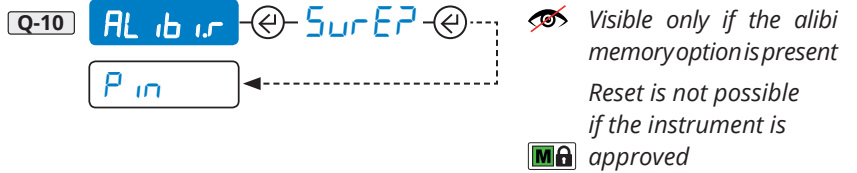
Reactivation of the totalisation or print function



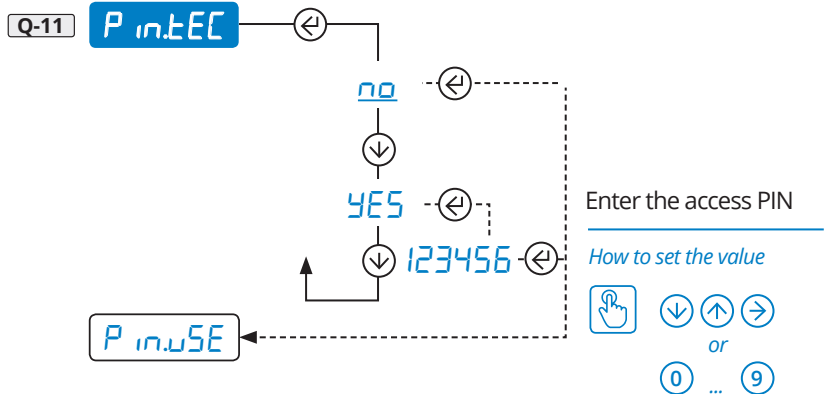
Permanent keyboard lock (excluding key)



Reset of fiscal memory (alibi memory, optional)



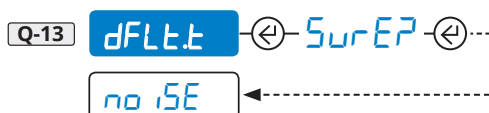
Access PIN to programming menu



Access PIN to user menus



Total reset of memory and of calibration, with reset of the factory settings.



6. COMMUNICATION STRINGS

Short string

01ST,GS, 0.0,kg<CR><LF>

where

01	Code 485 of the instrument (2 characters), only if communication mode 485 is enabled
ST	Scale status (2 characters): <u>US</u> - Weight unstable <u>ST</u> - Weight stable <u>OL</u> - Weight overload (out of range) <u>UL</u> - Weight underload (out of range) <u>TL</u> - Scale not level (inclinometer active)
,	ASCII 044 character
GS	Type of weight data (2 characters)
,	ASCII 044 character
0.0	Weight (8 characters including the decimal point)
,	ASCII 044 character
kg	Unit of measurement (2 characters)
<CR><LF>	Transmission terminator, characters ASCII 013 and ASCII 010

Extended string

01ST,1, 0.0,PT 20.8, 0,kg<CR><LF>

where

01	Code 485 of the instrument (2 characters), only if communication mode 485 is enabled
ST	Scale status (2 characters): <u>US</u> - Weight unstable <u>ST</u> - Weight stable <u>OL</u> - Weight overload (out of range) <u>UL</u> - Weight underload (out of range) <u>TL</u> - Scale not level (inclinometer active)
,	ASCII 044 character
1	ASCII 049 character
,	ASCII 044 character
0.0	Net weight (10 characters including the decimal point)
,	ASCII 044 character
PT	Indication of pre-set manual tare (2 characters)
20.8	Tare weight (10 characters including the decimal point)
,	ASCII 044 character
0	Number of pieces (10 characters)
,	ASCII 044 character
kg	Unit of measurement (2 characters)
<CR><LF>	Transmission terminator, characters ASCII 013 and ASCII 010



7. COMMUNICATION CONTROLS

Premise:

in the serial controls and in the relative responses

nn	Address 485 of the instrument (2 characters) (only if communication mode 485 is activated)
<CR>	Terminator character ASCII 13 (0D) (1 character)
<LF>	Terminator character ASCII 10 (0A) (1 character)

Reading of simple weight

Control	nnREAD<CR><LF>
Response	Short string (see page 41)

Reading of complete weight

Control	nnREXT<CR><LF>
Response	Extended string (see page 41)

Execution of a semi-automatic tare

Control	nnTARE<CR><LF>
Response	OK<CR><LF> indicates that the control was received correctly

Setting of the tare value (PT)

Control	nnTMANttttttt<CR><LF> Where t...t is the tare, with decimal points, max 8 characters.
Response	OK<CR><LF> indicates that the control was received correctly
Examples	TMAN1.56<CR><LF> set a tare of 1.56 TMAN100<CR><LF> set a tare of 100

Deleting the tare in memory

Control	nnCLEAR<CR><LF>
Response	OK<CR><LF> indicates that the control was received correctly

Scale reset (function of the ZERO key)

Control	nnZERO<CR><LF>
Response	OK<CR><LF> indicates that the control was received correctly

SPECIFIC CONTROLS FOR ALIBI MEMORY (OPTIONAL)

Storage requests

Control	nnPID<CR><LF> request to store the weight
Response	recording successful nnPIDss,c,wwwwwwwwwwuu,ppttttttttuu,xxxxx-yyy yy<CR><LF> no recording nnPIDss,c,wwwwwwwwwwuu,ppttttttttuu,NO<CR><LF>
where:	
ss	status of weight (2 characters) TL Error of condition of <i>EL</i> (NO RECORDING) OL Condition of <i>oL</i> (NO RECORDING) UL Condition of <i>uL</i> (NO RECORDING) ST Weight stable US Weight unstable (NO RECORDING)
c	Scale number (1 character)
w...w	Gross weight (10 characters)
uu	Unit of measurement (2 characters)
pp	Type of tare: double space " " if semi-automatic, "PT" if pre-set (2 characters)
t...t	Tare value (10 characters)
xxxxx	Number of rewriting (5 characters)
yyy yy	Progressive weighted (6 characters)
Examples	PIDST,1, 1500,0kg,PT 2,8kg,00000-000158<CR><LF> PIDUS,1, 1500,0kg,PT 2,8kg,NO<CR><LF>

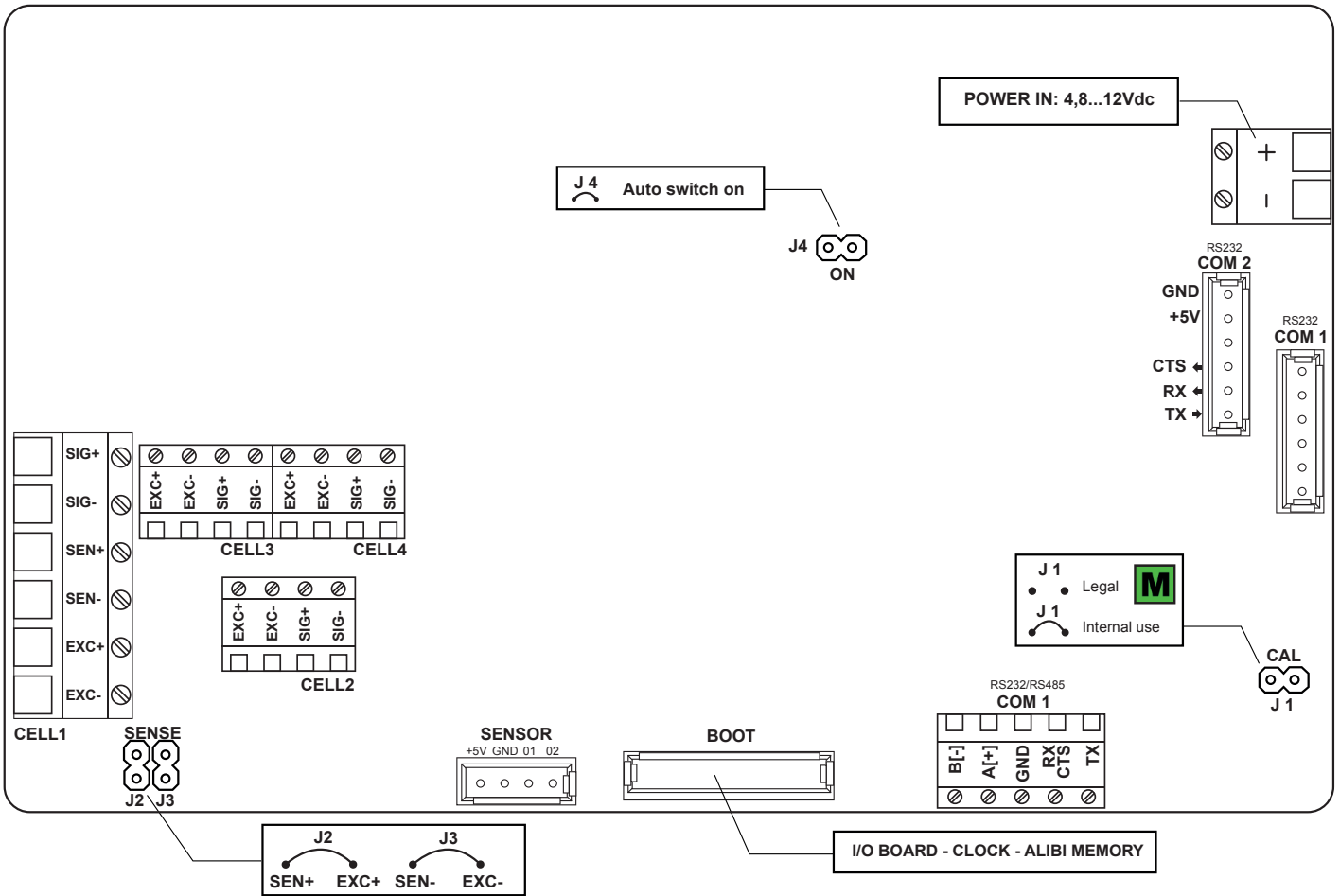
Reading of a weighing in memory

Control	nnALRDxxxxx-yyy yy<CR><LF> Where xxxxx is the rewriting number, yyy yy is the progressive weighted.
Response	s, w w w w w w w w u u, p p t t t t t t t t u u<CR><LF>
where:	
s	Number of scales (always 1)
w...w	Gross weight (10 characters)
uu	Unit of measurement ("g", "kg", "t", "lb")
pp	Type of tare: double space " " if semi-automatic, "PT" if pre-set (2 characters)
t...t	Tare value (10 characters)
Examples	ALRD00000-000158<CR><LF> 1, 1500,0kg, 2,8kg<CR><LF>

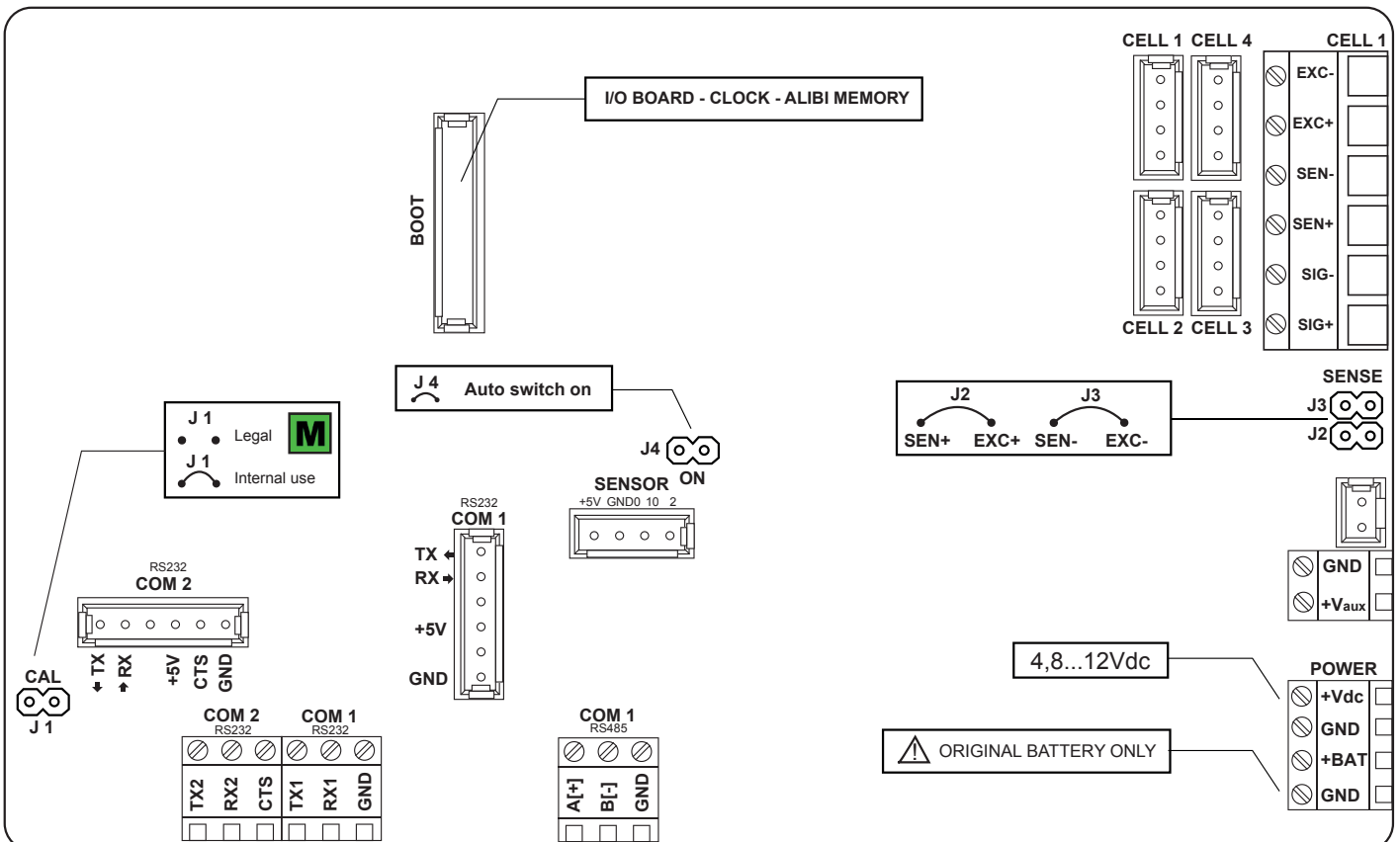


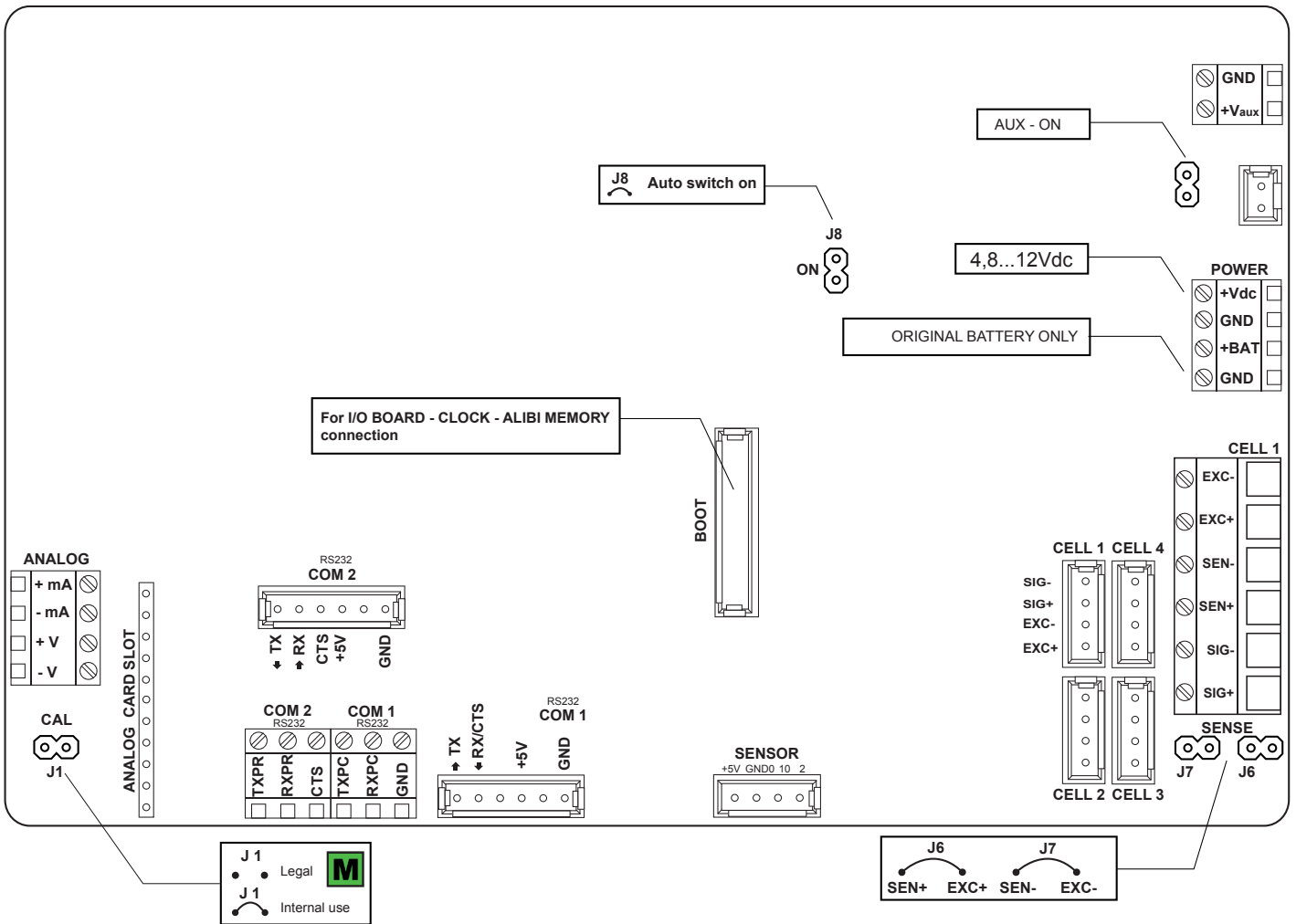
8. WIRING SCHEMES

DFWL_{xxx}, WLB, TPWN_{xxx}, TPWL_{xxx}, MCWN_{xxx}.



DFWLID_{xxx}





9. PROGRAMMING ERRORS

MESSAGE	DESCRIPTION	SOLUTION
<i>AL.Err</i>	Board "alibi memory" (optional) not detected.	Check the presence of the board inside the indicator. If present, check it is not damaged and is installed correctly.
<i>Er.1b.H</i>	Board "inputs/outputs" (optional) not detected.	Check the presence of the board inside the indicator. If absent, deactivate any inputs or outputs (parameter " <i>inPutS</i> " or " <i>outPut</i> ", see page 31-32). If present, check it is not damaged and is installed correctly.
<i>Err.b.H</i>		
<i>E9.Err</i>	Impossible to perform equalisation.	Check the cells are connected properly. Check the signal of each cell in the diagnostic menu (menu <i>d.AG</i> , parameter <i>AdC.uU</i> , see page 33).
<i>Pr.EC.</i>	Calibration error.	First calibrate the zero point, then proceed with the next points.
<i>Err.Pnt</i>	Calibration error.	Check the connection of the load cell. Check that the cell signal is stable, valid and greater than that of the previously acquired point.
<i>Er 11</i>	Calibration error.	Increase the calibration weight.
<i>Er 12</i>	Calibration error.	Check that the signal coming from the cell increases upon the increasing of the weight loaded on the scale. When acquiring the calibration points, use the increasing calibration weights.
<i>Er 37</i>	Calibration error.	Repeat the calibration, checking that the capacity and division have been correctly set.
<i>Er 39</i>	Instrument not configured.	Reset the factory configurations (menu <i>AdUAnC</i> , parameter <i>dFLtE</i> , see page 40).
<i>Er 85</i>	Instrument configured but not calibrated.	Perform calibration.
<i>[Er. 36</i>	Calibration error.	Check that the signal coming from the load cell is not negative.
<i>Err.NoI</i>	Weight unstable.	Check in menu <i>d.AG</i> , parameter <i>AdC.uU</i> (see page 33) that the signal is stable and re-try. If the connection of the cells is with 4 wires, check that the sense jumpers are inserted.

10. FAQ - FREQUENTLY ASKED QUESTIONS

Calibration

Can I change the maximum capacity without recalibrating?

Yes, you must change the parameters `rANGE 123` (Q-1-4,5,6). (See page 35)

Can I change the division without recalibrating?

Yes, you must change the parameter `dIU` (Q-1-2). (See page 35)

Can I change the position of the decimal point without recalibrating?

Yes, you must change the parameter `DEC n` (Q-1-1) and the value of the calibration points via the pitch `CAL.n` (Q-5-6). (See page 35 and 39)

Can I calibrate the instrument in “multi-division” mode?

Yes, through advanced configuration from PC with Dinitools program.

Communication

Scale doesn't answer

- Check the good condition of the cable and that there are no failures (using a multimeter).
- Check that the PC communication port or of the device used is not compromised. If necessary, try with another device/PC
- Make sure to have connected the cable on the correct serial port.
- Check the configuration of the pitches `bAud` and `bIt`. (See page 13)
- Temporarily activate the continuous communication and retry receiving the string. If the string has been received correctly, carefully check the syntax of the control sent, the communication time-outs and the presence of the terminator.

Generic

The scale does not switch on

- Check that the input voltage level to the mother board is correct.
- Try the forced power by inserting the “ON BOOT” jumper present on the mother board. If the indicator lights up, check the correct operation of the keyboard, using the diagnostic menu `d iRG`. (See page 33)
- Possible failure of the internal rechargeable battery (if present).



11. SUMMARY OF THE PARAMETERS

CAL	Calibration.....	10
dIU	Division	10
DCAL	Reset of Pre-Tare (zero calibration).....	11
GrAV	Area of gravity of the place of use.....	11
SErIAL	Configuration of the serial ports	12
CoNPE	Communication with PC, PLC or repeater	12
ModE	Selection of the communication mode	12
CoNSEL	Selecting the COM port for connection with PC/PLC.....	13
baud	Communication speed (baud rate).....	13
bit	Configuration of the serial protocol	13
CoNPrn	Communication with printer or repeater or PC.....	14
ModE	Selection of the communication mode	14
baud	Communication speed (baud rate).....	14
bit	Configuration of the serial protocol	15
CtS	Printer control signal.....	15
POWErP	Printer power supply / radio-frequency module	15
AdVAnC	Advanced configurations.....	16
ProtoC	Communication protocol.....	16
rAdio	Connection port of radio-frequency module (for use by the manufacturer).....	16
tTLtIL	TTL port / Inclinator activation (for use by the manufacturer).....	16
tE-r	Closing character of each print line.....	16
LAYout	Print customisation.....	17
LANg	Setting of the print language (<i>ITAL, ENGL, dEut, FRAn, ESPr, Ch inES</i>)	18
ChAr	Setting the character	18
hEAdEr	Print header.....	19
dAtA	Selection of the weight data.....	21
WEighT	Progressive weighed	21
tCREt	Receipt / label progressive	21
CLoCk	Date and time.....	22
baRC39	Bar code 39.....	22
baRCuP	Barcode top margin (mm)	22
baRCL	Barcode left margin (mm).....	22
baRC.h	Barcode height (mm).....	22
baRC.dt	Selection of the weight data.....	23
CoPIES	Multi-copy prints.....	23
EndtIC	Paper outlet for end of label / receipt.....	23
blinE	White pre-heating line of the print head (for thermal printer only).....	23
LABEL	Label configuration.....	24
LbSAVE	Saving of labels in the printer memory.....	24
tEST	Saving of labels in the printer memory and test print of all formats.....	24
FiLter	Weighing filters.....	25
SCrEEn	Adjusting the display.....	26
baFLit	Backlighting	26
brighT	Brightness.....	26
LoCk	Display lock (for use by the manufacturer)	26
CoLour	Backlighting colour (in versions with colour display)	26

bAtt	Power supply via battery.....	27
ECobAtt	Energy saving for battery operation	27
AutoOFF	Auto off.....	28
rENotE	Remote control.....	28
An.out	Analog output.....	29
inPuTs	Digital inputs.....	31
outPut	Digital outputs.....	32
rESEt	Factory configuration reset.....	33
d iAG	Diagnostics.....	33
AdC.uU	Converter.....	33
d iSPLA	Display.....	33
KEyb	Keyboard.....	33
AdUAnC	Advanced.....	34
CALPAR	Calibration parameters.....	34
dEC iN	Configuration of the decimal point.....	34
d iU	Reading division	34
u.N.	Unit of measure	34
rAnGE 1	Scale capacity (maximum capacity / first weighing range).....	35
rAnGE 2	For multirange scales (second weighing range).....	35
rAnGE 3	For multirange scales (third weighing range).....	35
EQuAL	Equalisation function.....	35
n.ChAn	Equalised analog channels	35
EQuALP	Equalisation.....	36
CALAdU	Complete calibration.....	37
no iSE	Additional filter for weighing in the presence of vibrations and for weighing live animals.....	38
MEtroL	Metrological parameters	38
OPErC	Reset percentage via key (⏴).....	38
d iUStb	Sensitivity of the weight stability control	38
0.t.r.h	Zero hold function (tracking).....	38
on.zErO	Reset at power and reset percentage	39
CALAdJ	Re-acquisition / change of the calibration points in memory	39
CALMAN	For use by the manufacturer.....	39
d.SALE	For use by the manufacturer.....	39
KEyb	Type of keyboard	39
t iLt	Inclinometer (for use by the manufacturer).....	39
rEAct	Reactivation of the totalisation or print function	40
LoCK.Fb	Permanent keyboard lock (excluding key (C)).....	40
AL iB iR	Reset of fiscal memory (alibi memory, optional).....	40
P in.tEEC	Access PIN to programming menu.....	40
P in.uSE	Access PIN to user menus	40
dFLt.t	Total reset of the memory and of calibration.....	40

NOTES



HEAD OFFICE

Via Della Fisica, 20
41042 Spezzano di Fiorano, Modena - Italy
Tel. +39 0536 843418 - Fax +39 0536 843521

SERVICE ASSISTANCE

Via Dell'Elettronica, 15
41042 Spezzano di Fiorano, Modena - Italy
Tel. +39 0536 921784 - Fax +39 0536 926654

www.diniargeo.com

Authorized service center stamp

