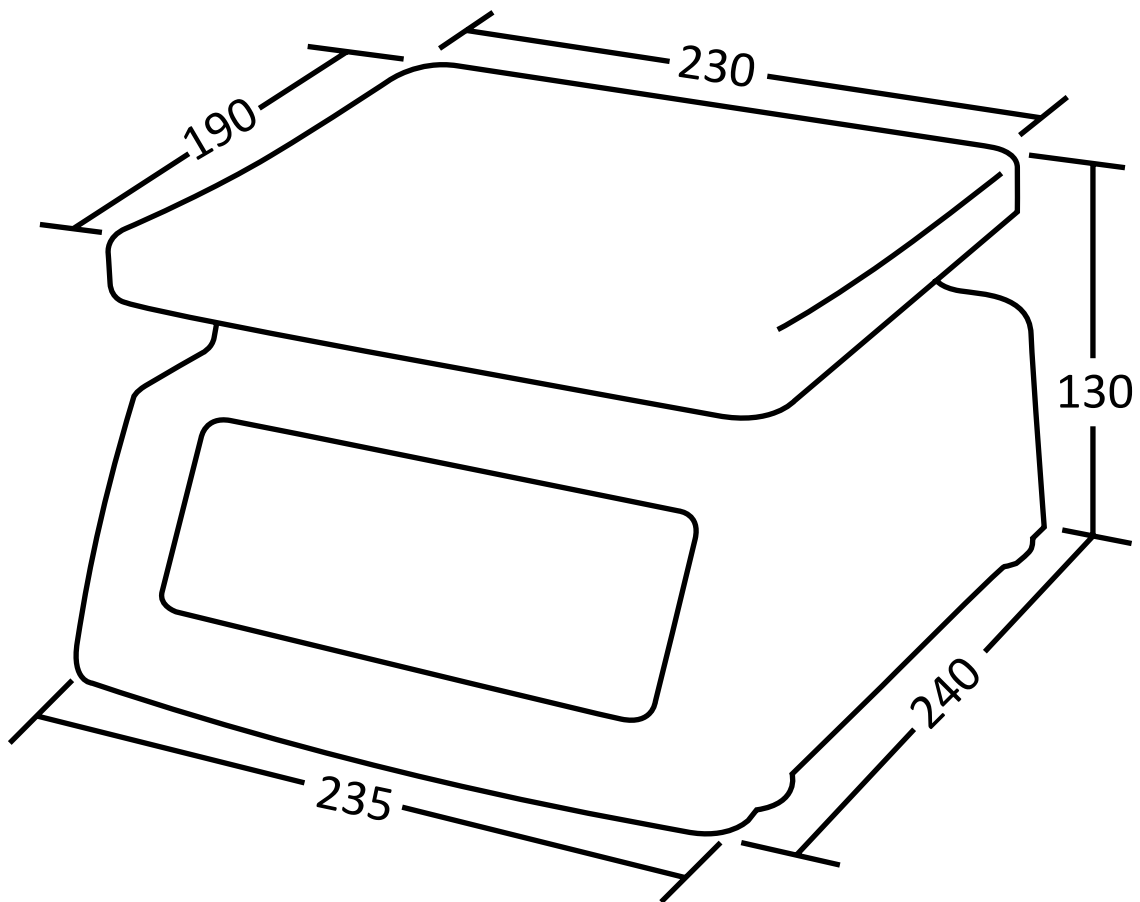


ATM



dimensions in mm