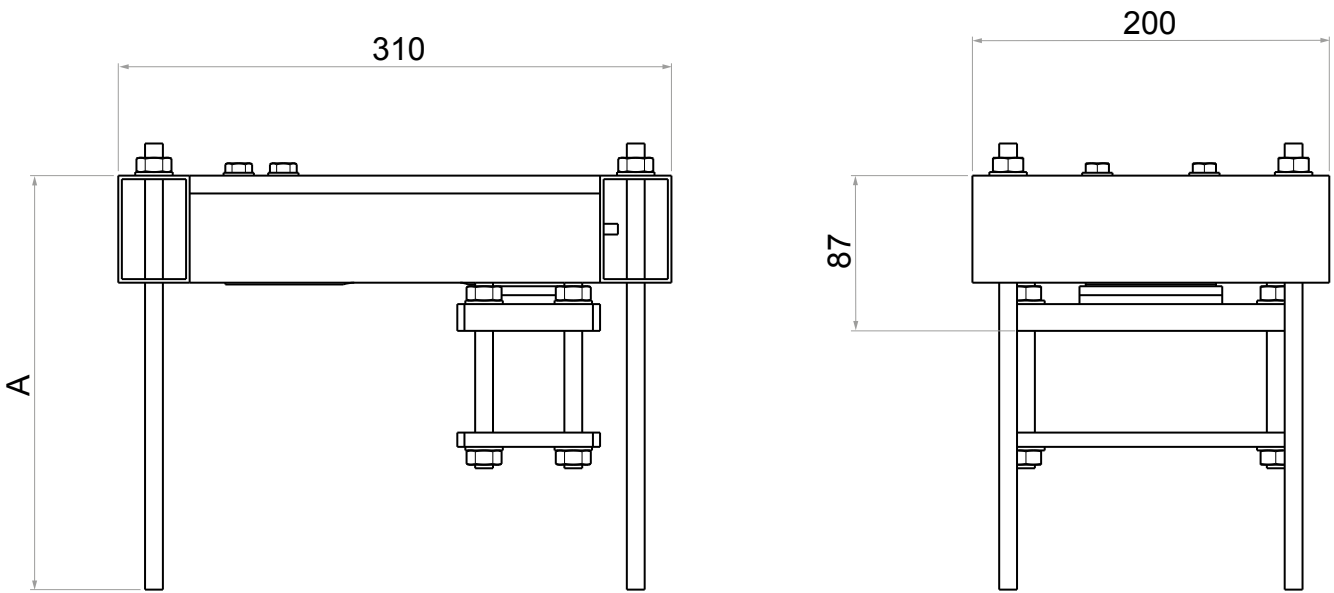
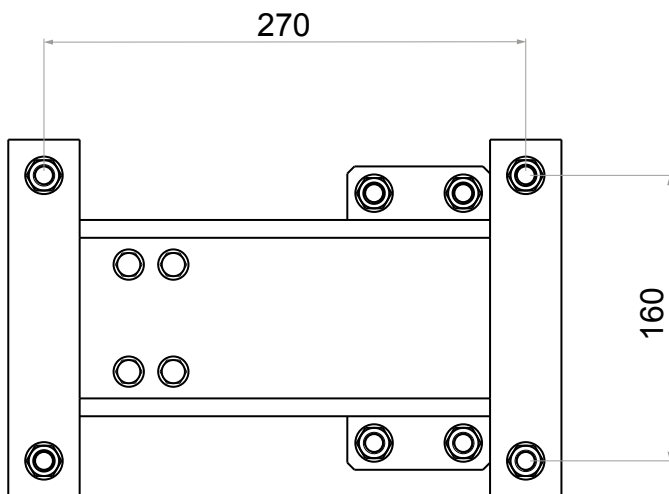


TWL



A: M10 bar length to specify when ordering.

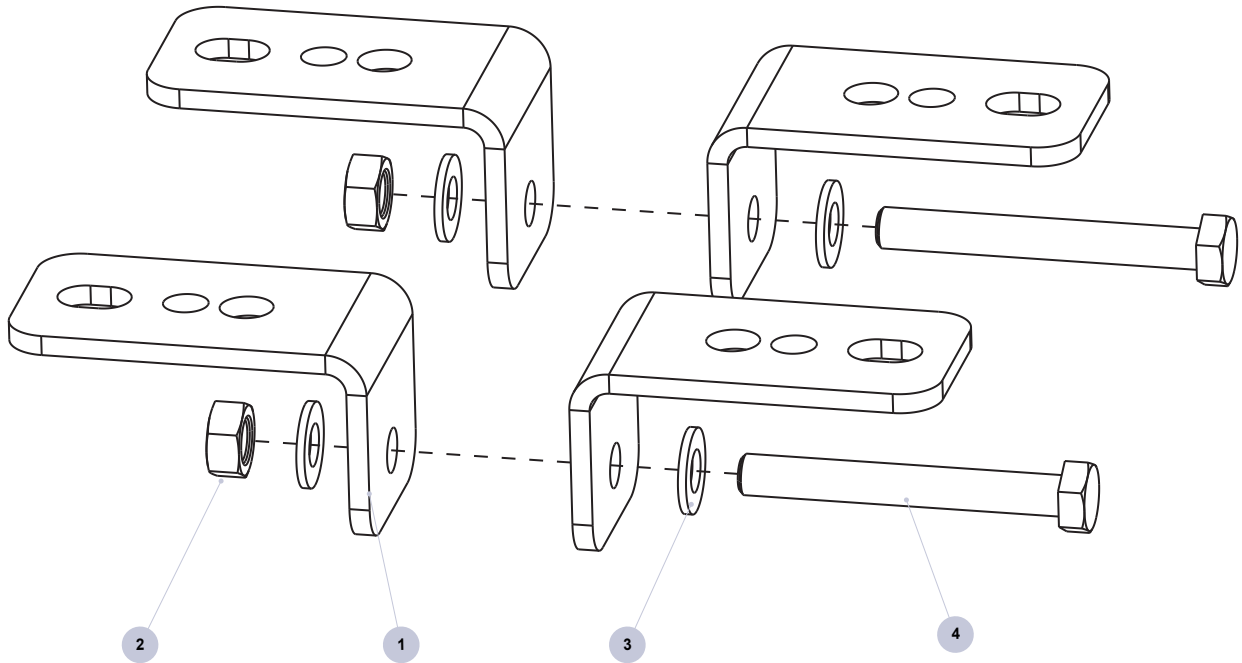


Can be mounted on IPE80 and IPE100 beams (upon request on bigger beams).

dimensions in mm

100X50RTK

Mounting kit for TWG / TWL / TW / TWS



Application key

	Description	Q.ty
4	Screw ISO 4014 M10x80 Stainless steel	2
3	Washer UNI 6592 10.5x21 Stainless steel	4
2	Hexagonal nut M10x1.5 Stainless steel	2
1	Angle bracket 100x50 TWG - TWL - TW - TWS	4

dimensions in mm