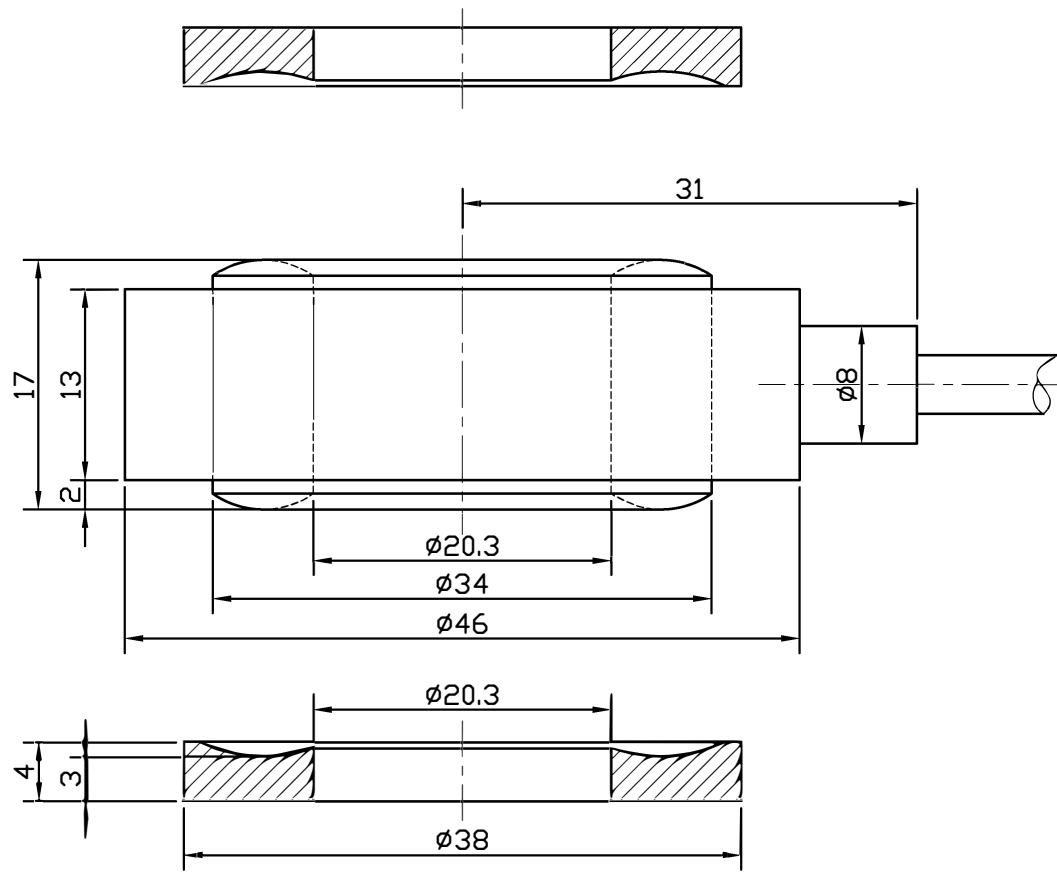
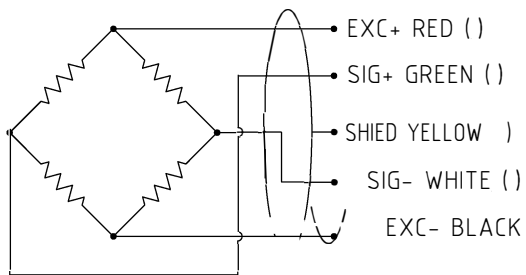


3.2/

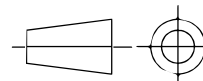


Specifications	Technique
Nominal load	16t
Rated output	1.5±0.3mV/V
Zero balance	±0.05mV/V
Non-linearity	2%F.S.
Hysteresis	2%F.S.
Repeatability	0.5%F.S.
Creep (30min)	0.1%F.S.
Temp.effect on output	0.2%F.S./10°C
Temp.effect on zero	0.2%F.S./10°C
Input impedance	750±20Ω
Output impedance	700±3Ω
Insulation	≥5000MΩ/500VDC
Recommended excitation	10V
Maximum excitation	15V
Compensated temp range	-20 ~ 70°C
Operation temp range	-20 ~ 70°C
Safe overload	150%F.S.
Ultimate overload	200%F.S.
Cable size	φ4X3m
Protection class	IP67

Drawing\_ARL\_16T\_V1



0 ~ 6	±0.05	±0.10	±0.20	±0.50
>6 ~ 30	±0.10	±0.20	±0.50	±1.00
>30 ~ 120	±0.15	±0.30	±0.80	±1.50
>120 ~ 400	±0.20	±0.50	±1.20	±2.50
>400 ~ 1000	±0.30	±0.80	±2.00	±4.00
>1000 ~ 2000	±0.50	±1.20	±3.00	±6.00
>2000 ~ 6000	±1.00	±2.00	±4.00	±8.00



1:1 | A4

**VETEK**

2Cr13