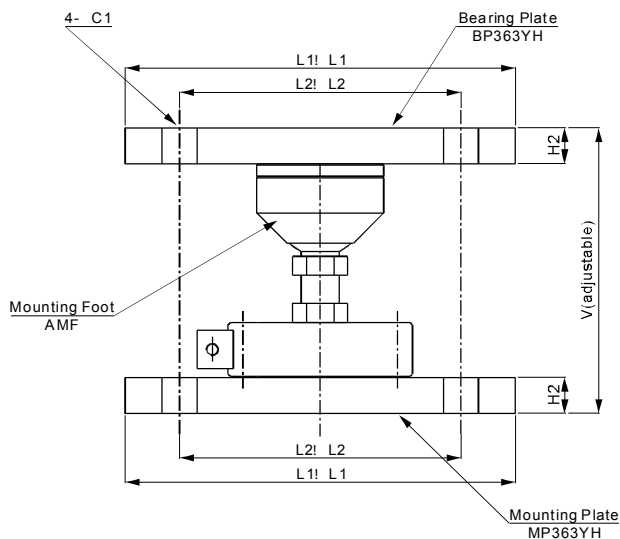
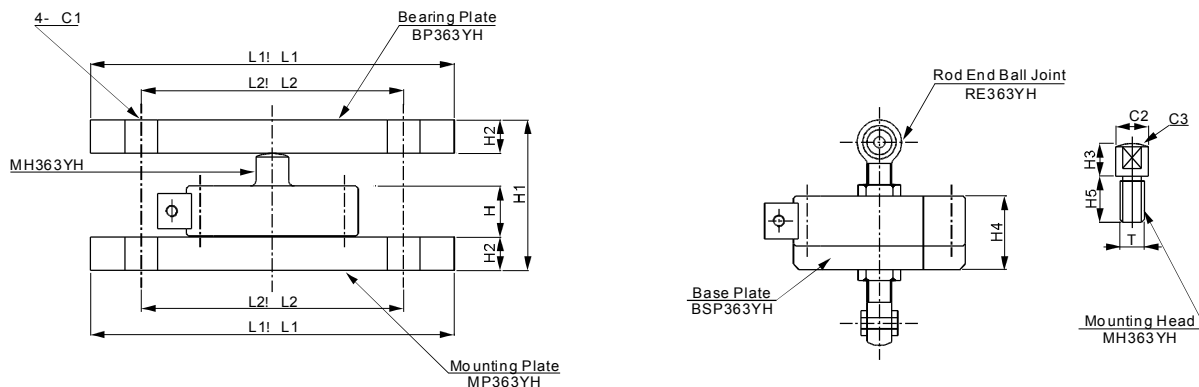


Datasheet accessories 363YH

Mounting Hardware For 363YH Load Cell



DIMENSIONS

RATED CAPACITY	C1	C2	C3	H	H1	H2	H3	H4	H5	L1	L2	T	
kg/mm													
1,000	5,000	14.0	27.0	85.0	35.0	89.0	23.0	8.0	64.0	25.0	150.0	128.0	M24 X2
10,000	20,000	18.0	45.0	150.0	45.0	123.0	28.0	22.0	90.0	38.0	200.0	140.0	M36 X2
30,000		18.0	54.0	180.0	58.0	156.0	33.0	32.0	108.0	48.0	225.0	170.0	M42 X2
50,000		18.0	64.0	200.0	64.0	182.0	38.0	42.0	114.0	54.0	250.0	200.0	M42 X2
100,000		18.0	102.0	300.0	90.0	238.0	50.0	48.0	-	79.0	325.0	290.0	M70 X3
15,000	200,000	18.0	136.0	300.0	120.0	340.0	80.0	60.0	-	79.0	365.0	330.0	M90 X3
300,000		18.0	160.0	500.0	180.0	460.0	100.0	80.0	-	90.0	405.0	370.0	M120 X3
lb/inches (conversion of above dimensions)													
2,204.6	11,023.1	0.55	1.06	3.35	1.38	3.50	0.91	0.31	2.52	0.98	5.91	5.04	M24 X2
22,046.2	44,092.5	0.71	1.77	5.91	1.77	4.84	1.10	0.87	3.54	1.50	7.87	5.51	M36 X2
66,138.7		0.71	2.13	7.09	2.28	6.14	1.30	1.26	4.25	1.89	8.86	6.69	M42 X2
110,231.1		0.71	2.52	7.87	2.52	7.17	1.50	1.65	4.49	2.13	9.84	7.87	M42 X2
220,462.3		0.71	4.02	11.81	3.54	9.37	1.97	1.89	-	3.11	12.80	11.42	M70 X3
330,693.4	440,924.5	0.71	5.35	11.81	4.72	13.39	3.15	2.36	-	3.11	14.37	12.99	M90 X3
661,386.8		0.71	6.30	19.69	7.09	18.11	3.94	3.15	-	3.54	15.94	14.57	M120 X3