

3.2/

A

B

C

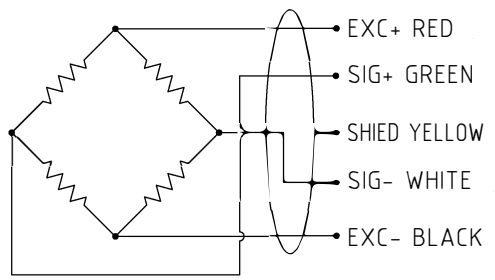
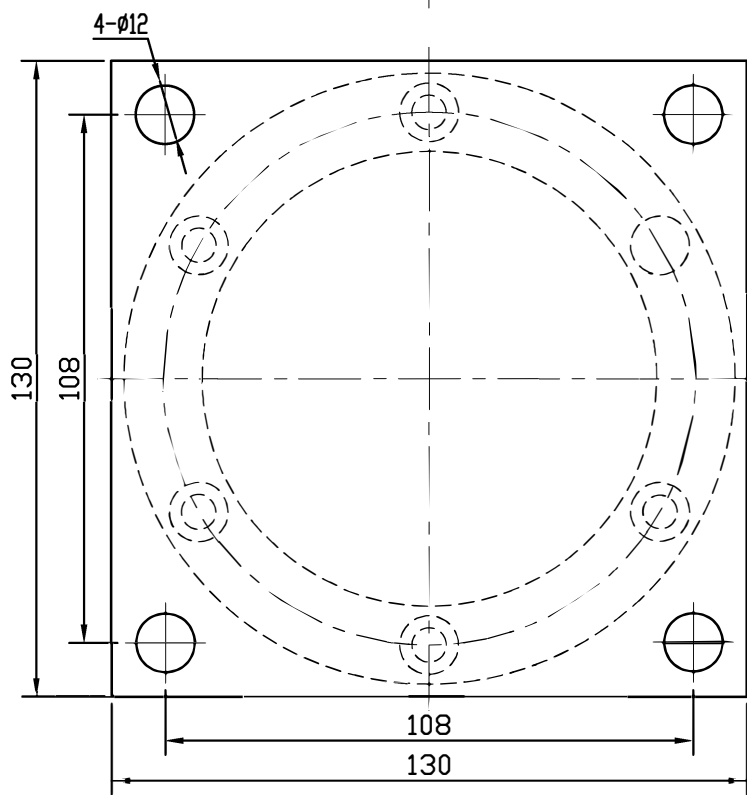
D

A

B

C

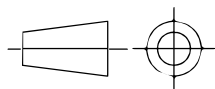
D



	Specifications	技术指标/Technique
	Nominal load	20t
	Rated output	2mV/V
	Zero balance	±0.05mV/V
	Non-linearity	0.1%F.S.
	Hysteresis	0.1%F.S.
	Repeatability	0.05%F.S.
	Creep (30min)	0.05%F.S.
	Temp.effect on output	0.05%F.S./10°C
	Temp.effect on zero	0.03%F.S./10°C
	Input impedance	750±20Ω
	Output impedance	700±3Ω
	Insulation	≥5000MΩ/500VDC
	Recommended excitation	10V
	Maximum excitation	15V
	Compensated temp range	-20~70°C
	Operation temp range	-20~70°C
	Safe overload	150%F.S.
	Ultimate overload	200%F.S.
	Cable size	φ5.4X3m(黑色电缆)
	Protection class	IP67

Drawing\_GY-6\_20ton\_V1

0~6	±0.05	±0.10	±0.20	±0.50
>6~30	±0.10	±0.20	±0.50	±1.00
>30~120	±0.15	±0.30	±0.80	±1.50
>120~400	±0.20	±0.50	±1.20	±2.50
>400~1000	±0.30	±0.80	±2.00	±4.00
>1000~2000	±0.50	±1.20	±3.00	±6.00
>2000~6000	±1.00	±2.00	±4.00	±8.00



1:1 A4  
Patrik 2017.07.07



kg

LGY65T200030-00-00

1

2

3

4

5

6

1

2

3

4

5

6