

APPLICATION:

Electronic hooks, Suspended deposits, Hybridizations

CAPACITY RANGE:

2t - 5t - 10t

MATERIAL:

Special Steel

ENVIRONMENTAL PROTECTION:

IP67

APPROVALS:

CE 3000 Div - E-07.02.C03

According to OIML - R60

CHARACTERISTICS

Construction using special steel.
High quality protection barrier using special silicones.
Mounting compatibility.

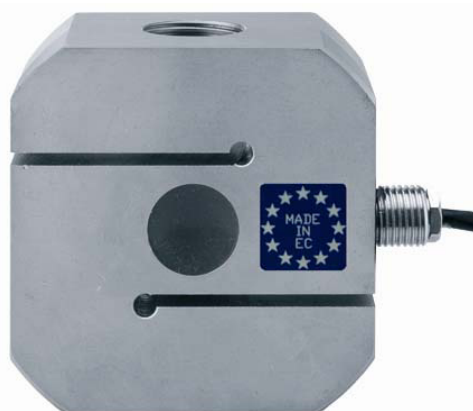
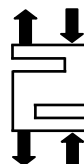
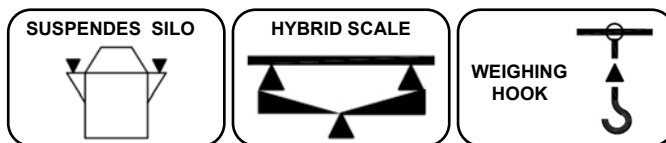
APPLICATIONS

The TT model is manufactured to maintain its performance capabilities in the environmental conditions existing in industries, where tasks and cleaning demand a good environmental protection.

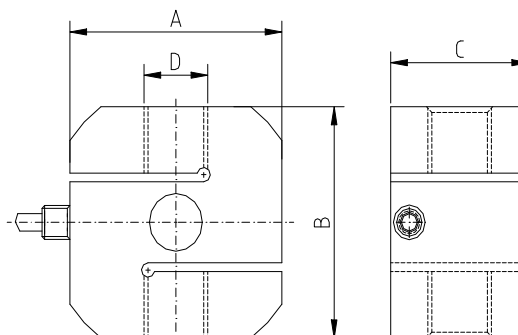
OPTIONS

Sensitivity alignment: $\pm 0,1\%$.
Consult for special requirements.

IP67 **M** OIML C3

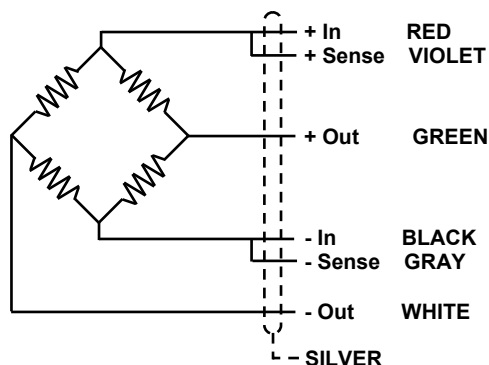


TEFLÓN® protects all the internal cables



Capacity	A	B	C	D
2	80	80	42	2xM16
5	80	80	42	2xM24
10	80	80	52	2xM24

Dimensions in mm



GENERAL TECHNICAL CHARACTERISTICS FOR $g = 9,8031 \text{ m/s}^2$

OIML Class	C3	UNITS
Divisions n_{LC}	3000	
Minimum Dead load E_{min}	0	kg
$Z = E_{max} / 2DR$	3000	
$Y = E_{max} / V_{min}$	10000	
Rated Capacity E_{max}	2000 - 5000 - 10000	kg
Rated Sensitivity C	$2 \pm 10 \%$	mV/V
Rated Input Voltage	10	V dc
Input Voltage Range	5...15	V ac/dc
Input Resistance R_{LC}	1000 ± 110	Ω
Output Resistance	1000 ± 10	Ω
Zero Balance	± 2	% E_{max}
Insulation Resistance at 50 V DC	> 5000	M Ω
Service Overload	> 150	% E_{max}
Overload Limit	> 300	% E_{max}
Temperature Range : Compensated	- 10 ... 40	$^{\circ}\text{C}$
: Operating	- 30 ... 85	$^{\circ}\text{C}$
: Storage	- 30 ... 90	$^{\circ}\text{C}$
Max. Nonlinearity	0,02	% E_{max}
Max. Hysteresis	0,02	% E_{max}
Max. No repeatability	0,01	% E_{max}
M Max. Creep in 4 hours	0,03	% E_{max}
Max. Zero Recovery Test in 1/2 hour	0,02	% E_{max}
Max Temperature effect : On Sensitivity	0,02	% $E_{max} / ^{\circ}\text{C}$
: On Zero	0,02	% $E_{max} / ^{\circ}\text{C}$
Weight	2000 (2000kg - 5000kg) 2500 (10000kg)	g
Cable Length	5	m
Environmental Protection	IP67 - DIN 40050	

