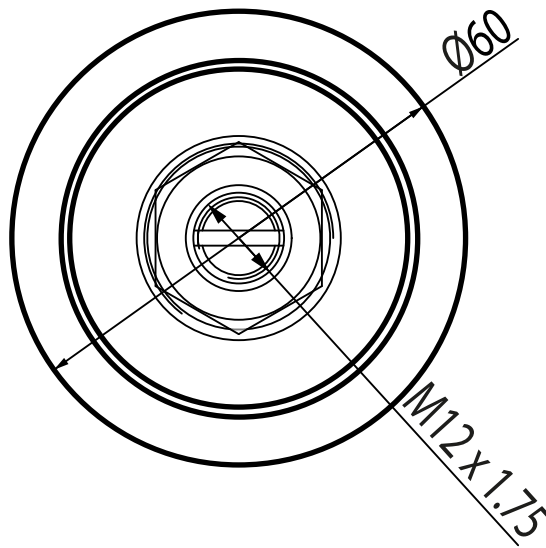


SBFA

Dimensions in mm.



SBFA\_TECHNICAL\_DRAWING\_V1