



# Catapult 5000

Shipping Scales



## *The Heavy-Duty Shipping Scale that Combines Utility and Economy*

The low-profile Catapult 5000 is an economical shipping scale that's ideal for your shipping and receiving needs, as well as other general weighing applications. A sturdy stainless steel platform that can withstand heavy loads, an easy-to-read LED screen and an optional rechargeable battery make Catapult 5000 a great scale for small businesses, mail rooms, warehouses and even industrial environments.

### *Standard Features Include:*

- **The Heavy-Duty Platform Accommodates both Large and Small Packages of Varying Shapes**  
Built-to-last with a large stainless steel platform, the Catapult 5000 is ideal for weighing heavy loads and packages of varying sizes—and can even be used in industrial environments.
- **The Bright LED Display Enables the Scale to be Used in Any Lighting Condition**  
The Catapult 5000 is equipped with a LED display and its brightness can be adjusted to show results clearly—even in less than optimal lighting conditions.
- **Versatile Data Transfer and Power Options Enhance Operation**  
The user experience is enhanced with a RS232 interface which enables easy data transfer, and a rechargeable battery which guarantees hours of uninterrupted operation and portability (both optional).

# Catapult 5000 Shipping Scales

Model	C51XE6R	C51XE30R	C51XE50R	C51XE200R	C51XE30L	C51XE50L	C51XE100L	C51XE200L	C51XE30X	C51XE50X	C51XE100X	C51XE200X
Capacity × Readability (d) kg	6 × 0.002	30 × 0.01	50 × 0.02	200 × 0.1	30 × 0.01	50 × 0.02	100 × 0.05	200 × 0.1	30 × 0.01	50 × 0.02	100 × 0.05	200 × 0.1
Recommended Display Resolution	1:3000	1:3000	1:2500	1:2000	1:3000	1:2500	1:2000	1:2000	1:3000	1:2500	1:2000	1:2000
Weighing Units	kg, g, lb											
Display	6-digit, 7-segment red LED, 20 mm high digits											
Indicator Construction	ABS housing											
Keyboard	Four tactile mechanical keys											
Zero Range	2% or 100% of full scale capacity											
Tare Range	Full capacity by subtraction											
Application Modes	Weighing, Dynamic/Display Hold, Accumulation											
Stabilization Time	1 second											
Auto-Zero Tracking	Off, 0.5, 1 or 3 divisions											
Overload Capacity	125% of rated capacity											
Power	AC adapter (included) or rechargeable lead acid battery (not included)											
Battery Life	72 hours of continuous use with a 12-hour recharge time											
Calibration	User-selectable digital external span calibration (5 kg to 100% capacity)											
Communication	RS232 (available as an accessory)											
Operating Temperature Range	-10 °C to 40 °C											
Base Construction	Stainless steel platform, painted carbon steel frame											
Base Dimensions (W × L × H)	310 × 270 × 40 mm				520 × 400 × 75 mm				900 × 600 × 80 mm			
Column Construction	Stainless steel											
Net Weight	4 kg				13.5 kg				28 kg			
Shipping Weight	5 kg				15 kg				32 kg			
Shipping Dimensions	400 × 365 × 210 mm				600 × 480 × 220 mm				1022 × 687 × 247 mm			

## Other Standard Features and Equipment

ABS housing, stainless steel pan, mounting bracket, painted steel frame, tactile mechanical keys, low-profile design, hardware configuration lockout switch, user-selectable span calibration points, averaging level, auto zero-tracking, auto shut-off

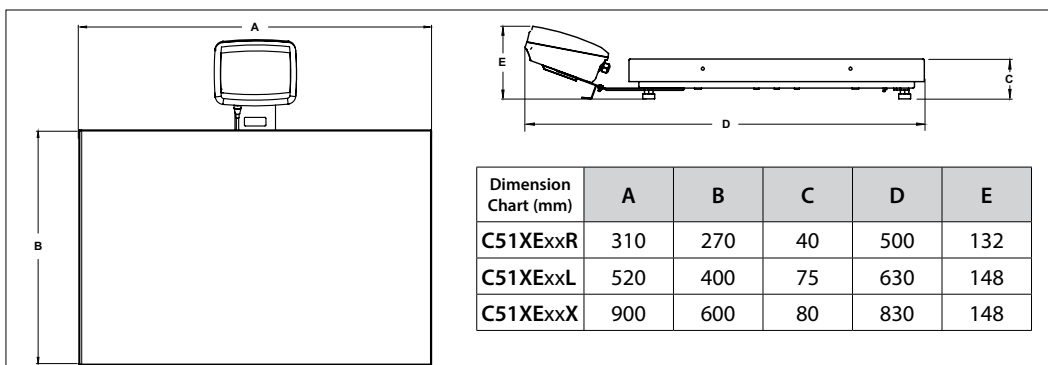
## Compliance

- **Product Safety:** IEC/EN 61010-1
- **Electromagnetic Compatibility:** IEC/EN 61326-1 Class B, Basic environments

## Accessories

RS232 Kit .....30101019  
 In-Use Cover .....30101017  
 SF40A Impact Printer .....30064202  
 Lead Acid battery, 6V4AH.....30251812

## Dimensions



OHAUS Europe GmbH  
 Im Langacher 44  
 8606 Greifensee  
 Switzerland

e-mail: ssc@ohaus.com  
 Tel: 0041 22 567 53 19  
 e-mail: tsc@ohaus.com  
 Tel: 0041 22 567 53 20

[www.ohaus.com](http://www.ohaus.com)

OHAUS Corporation is an ISO 9001:2008 manufacturer

ISO 9001:2008  
 Registered Quality  
 Management System

CH16D169

