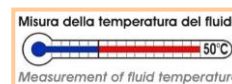


# DME2 Digital pressure gauge



*DME2 is a digital pressure gauge made according to the latest technology to ensure a high level of reliability, versatility and practicality at the same time.*

*The sturdiness and a high stability over time are guaranteed by a monolithic sensor made entirely of stainless steel capable of working even in the presence of highly dynamic pressures, and by a robust housing made of painted aluminum.*

*Designed to be used in industrial process controls and automation, it achieves a better accuracy class of **0.20%** in 16 different RELATIVE and VACUUM pressure ranges.*

*With this instrument it is possible to measure **TEMPERATURE** and **PRESSURE** generated by air, gas, oil, water or any other type of non-corrosive fluid.*

*These pressure gauges find their specific use in various industrial fields: pneumatic, hydraulic, control of food processes, refrigeration systems (vacuum), test benches, material testing machines, level meters.*

*In the standard version the pressure gauge is supplied externally to 24 Vdc and manages 2 SET POINTS with relay output to control pressure or temperature levels.*

*In OPTION you can add the ANALOGUE OUTPUT in voltage or current and the external power supply to 12Vdc.*

## Main features:

- PRESSURE STANDARDIZED FROM 1 bar TO 3000 bar RELATIVE and VACUUM.
- TEMPERATURE MEASUREMENT FROM 0 TO 70°C.
- PROGRAMMABLE RESOLUTION, DIGITAL FILTER AND ZERO FUNCTION.
- PEAK FUNCTION (POSITIVE PRESSURE and VACUUM).
- 2 SET POINT WITH PROGRAMMABLE RELAY OUTPUT
- ANALOG OUTPUT (OPTION)
- 12VDC EXTERNAL POWER SUPPLY (OPTION)

## Main features

<b>ACCURACY</b> (linearity and hysteresis)	<b>≤ ± 0,20 % F.S.</b>
<b>RELATIVE PRESSURE (R)</b> Zero at atmospheric pressure	1 – 2,5 – 5 – 10 – 20 – 50 – 100 bar 250 - 350 – 500 – 700 bar 1000 – 1500 - 2000 – 2500 – 3000 bar
<b>RELATIVE VACUUM (V)</b> Zero at atmospheric pressure	-1 ... 1 bar    -1 ... 2,5 bar    -1 ... 5 bar -1 ... 10 bar    -1 ... 20bar
PRESSURE UNITS	bar (other units on request)
<b>TEMPERATURE INDICATION</b>	°C
a) Resolution	0,1 °C
b) Accuracy	± 1 °C
REFERENCE TEMPERATURE	23 °C
OPERATING TEMPERATURE	0 / +70 °C
STORAGE TEMPERATURE	-10 / +80 °C
RELATIVE HUMIDITY	< 90 % not condensed
TEMPERATURE EFFECT (1 ° C)	
a) on zero	≤ ± 0,002 %
b) on sensitivity	≤ ± 0,002 %
RED DISPLAY highly efficient	7 segmenti
NUMBER OF DIGITS	4
DISPLAY HEIGHT	14 mm
INTERNAL RESOLUTION	16 bit
READINGS PER SECOND PROGRAMMABLE	50 (20ms)
<b>DIGITAL FILTER</b> PROGRAMMABLE	0 ÷ 5
<b>RESOLUTION</b> PROGRAMMABLE	1, 2, 5, 10
<b>ZERO</b> FUNCTION	100 %
<b>PEAK</b> FUNCTION	Active in the POSITIVE /NEGATIVE RANGE
SETPOINT PARAMETER PROTECTION	Via Password
SET POINT PROGRAMMABLE	2
RELE' OUTPUT With EXCHANGE CONTACTS	2
MAX TENSION TO THE CONTACTS	24 Vdc
MAX CURRENT	500 mA
MAX POWER	12 W
EXTERNAL POWER SUPPLY	<b>24 Vdc</b>
POWER SUPPLY RANGE	18 ... 26 Vdc
MAX CURRENT CONSUMPTION	120 mA
EXTERNAL ELECTRICAL CONNECTIONS	Sub Db9 Female
MECHANICAL LIMIT VALUES:	
a) service pressure	100% F.S.
b) limit pressure	150% F.S.
c) breaking pressure	>300% F.S.
d) highly dynamic pressure	75% F.S.

PROCESS COUPLING	1/2" G Maschio
SEAL RECOMMENDED	USIT A 63-18
TIGHTENING WRENCH	27 mm
TIGHTENING TORQUE	28 Nm
PROTECTION CLASS (EN 60529)	IP65 front panel
SENSOR EXECUTION MATERIAL	INOX 17-4 PH
CASE EXECUTION MATERIAL	ALLUMINIO




### **Options** (must be purchased separately)

EXTERNAL POWER SUPPLY	<b>12 Vdc</b>
ANALOG OUTPUT (Pressure)	
Current	4-20mA
Tension (max 20mA – RL min: 1kΩ)	0...10V

### **Included Accessories**

<p>n° 2 Mounting Brackets          Italian / English Manual          Nr. 2 mordant cones for high-pressure manometers from 1000 bar to 3000 bar.</p>	
--	---

### **Accessories** (can be purchased separately)

<p>Power Supply 220Vac – 24Vdc.          Code: <b>TALDMM</b></p>	
<p>Carrying case.          Code: <b>VALIGIADFIBIT</b></p>	
<p>Calibration Report.          Code: <b>TRM</b></p> <p>ACCREDIA certificate.</p>	

## STANDARD indications

TYPE <sup>(1)</sup>	Full Scale	Display	Resolution
	bar	bar	bar
RV	1	1.000	0.001
RV	2.5	2.500	0.001
RV	5	5.000	0.001
RV	10	10.00	0.01
RV	20	20.00	0.01
R	50	50.00	0.01
R	100	100.0	0.1
R	250	250.0	0.1

TYPE <sup>(1)</sup>	Full Scale	Display	Resolution
	bar	bar	bar
R	350	350.0	0.1
R	500	500.0	0.1
R	700	700.0	0.1
R	1000	1000	1
R	1500	1500	1
R	2000	2000	1
R	2500	2500	1
R	3000	3000	1

<sup>(1)</sup> R = Relative V = Vacuum

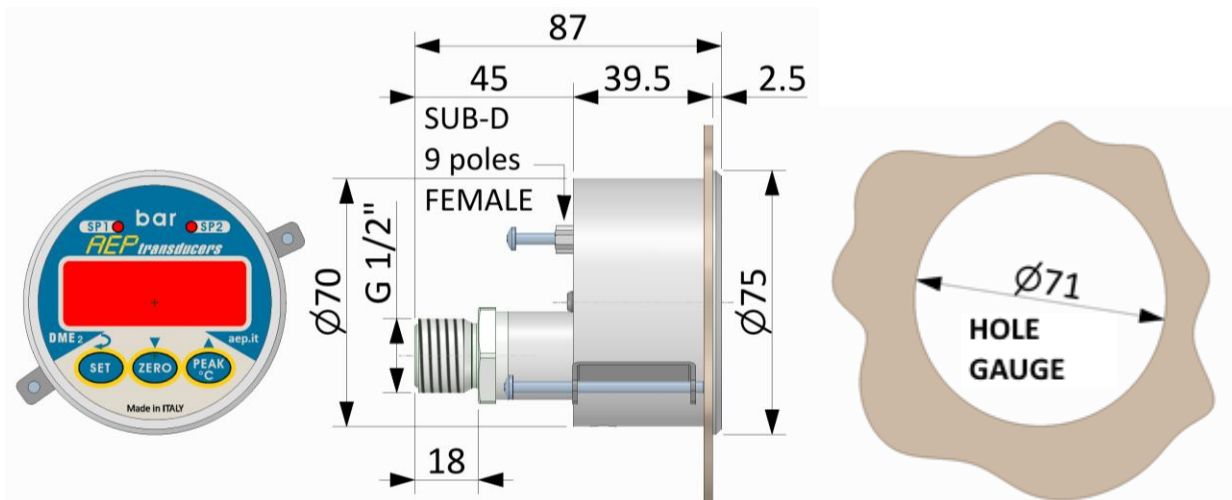
## Purchase codes

TDME2	Full Scale				Analog output	Power supply
	1B	20B	350B	1KB5	A4 = 4-20mA	
2B5	50B	500B	2KB	A10 = 0...10V		
5B	100B	700B	2KB5			
10B	250B	1KB	3KB			

Example: **TDME2 50B 04**

<b>TDMMV</b>	VACUUM relative version.
--------------	--------------------------

## Dimensions (mm):



In order to improve the technical performances of the product, the company reserves the right to make any change without notice.