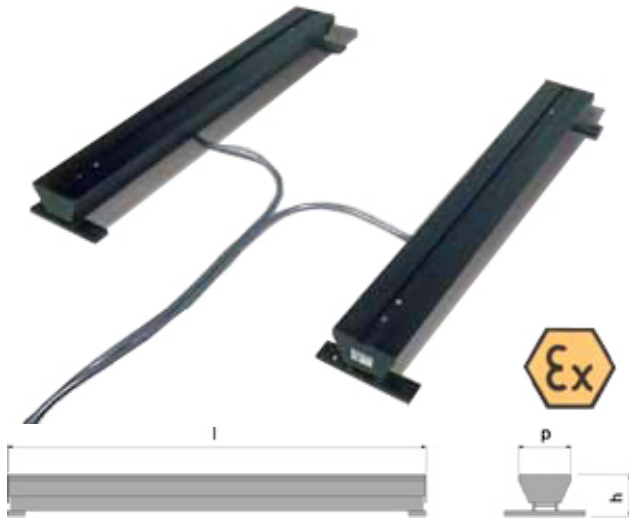


BP SERIES WEIGHING BEAMS



Pair of sturdy and versatile modular weighing bars, easy to fit under any type of weighing structure. These are suitable for weighing rigid structures (hoppers, conveyor belts, roller units, tanks, crates, etc.). Standard version is with approved load cell.

MAIN FEATURES

- Functions with 4 IP68 STAINLESS steel shear-beam approved load cells (BPL) and with 2 aluminium off-center approved load cells (BPS-BPM-BPX), made according to OIML R60 standards with protection against dust and water splashes according to IP65 standards (350 Ohm input resistance).
- The structure is made in section and sheet oven-fire painted carbon steel, fitted with articulated joints for compensating the bending and/or expansion of the structure to be weighed, and with stops for protection from accidental bumps.
- Shielded 3m long 4-pin cable for connecting each bar with the fitted junction box.
- Up to 15 Vdc power supply.
- IP67 hermetic equalised junction box with shielded 5m long 6-pin cable with connectors for connection to the indicator.
- The STAINLESS STEEL model has the structure, mechanics, and trinkets in AISI304 and the load cells are treated with an anticorrosion treatment.

OPTIONS ONLY AVAILABLE AT TIME OF ORDER

- Connection to the indicator and calibration with CE-M 3000e single range or 3000e+3000e dual range approval (with indicators of our production).
- High resolution model for internal factory use.

OPTIONS FOR ATEX VERSION

- CCATEX: ATEX certificate for each load cell.
- JB4QA: ATEX certified junction box.
- DCATEXMECH: Declaration of conformity of the whole system composed of PLATFORM + JUNCTION BOX + LOAD CELLS (only if the platform is ordered without the weight indicator; otherwise, refer to the certifications available for the indicator to which it will be connected).

WARNING


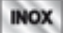




With ATEX weighing systems, when directly weighing light metals (such as aluminum, magnesium, titanium and their alloys), it is necessary that the surface of the installed structure, above the bars, be in stainless steel.

Datasheet_BP_V1

Available versions

| Code | l x w x h (mm) | Max (kg) | d (g) | CE-M* 3000e (g) | CE-M* 2x3000e (g) | d* HR (g) |
|------|-------------------|-------------|----------|--------------------|----------------------|--------------|
|------|-------------------|-------------|----------|--------------------|----------------------|--------------|

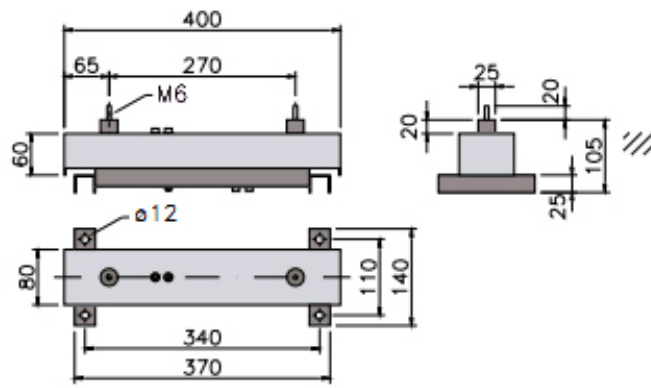
| | | | | | | | |
|---------|---|--------------|------|------|------|-----------|-----|
| BPSI15 |  | 400x80x105 | 15 | 2 | 5 | -- | 1 |
| BPSI30 |  | 400x80x105 | 30 | 5 | 10 | 5-10 | 2 |
| BPSI60 |  | 400x80x105 | 60 | 10 | 20 | -- | 5 |
| BPSI150 |  | 400x80x105 | 150 | 20 | 50 | 20-50 | 10 |
| BPM60 | | 600x105x130 | 60 | 10 | 20 | 10-20 | 5 |
| BPM150 | | 600x105x130 | 150 | 20 | 50 | 20-50 | 10 |
| BPM300 | | 600x105x130 | 300 | 50 | 100 | 50-100 | 20 |
| BPX150 | | 800x135x130 | 150 | 20 | 50 | 20-50 | 10 |
| BPX300 | | 800x135x130 | 300 | 50 | 100 | 50-100 | 20 |
| BPX600 | | 800x135x130 | 600 | 100 | 200 | 100-200 | 50 |
| BPL600 | | 1200x150x120 | 600 | 100 | 200 | 100-200 | 50 |
| BPL1500 | | 1200x150x120 | 1500 | 200 | 500 | 200-500 | 100 |
| BPL3000 | | 1200x150x120 | 3000 | 500 | 1000 | 500-1000 | 200 |
| BPL6000 | | 1200x150x120 | 6000 | 1000 | 2000 | 1000-2000 | 500 |

(*) These divisions are obtainable only with the relative options

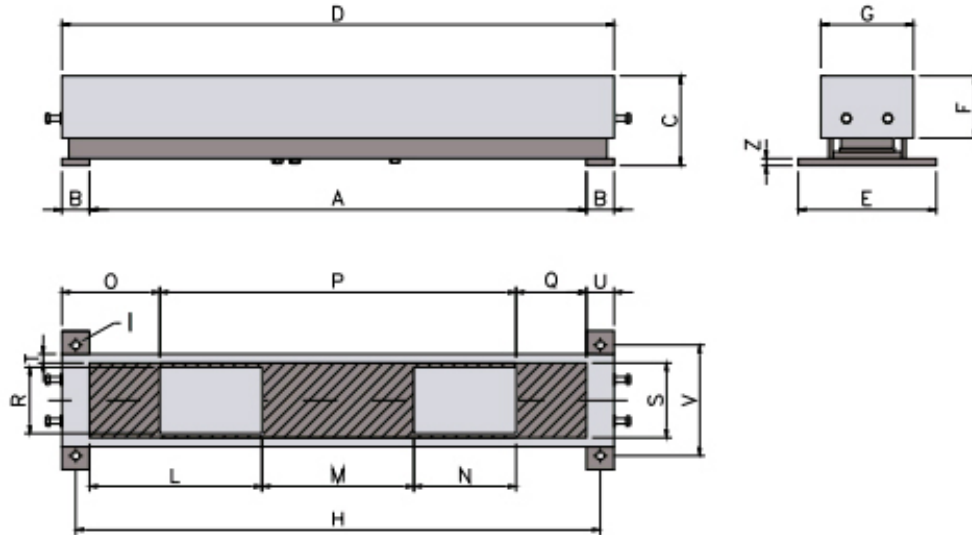
Options only available at time of order

| Code | Description |
|-------------------|--|
| BPCEM1 | CE-M 3000e approval, feet and level for weighing bars BP series |
| BPCEM2 | CE-M 2x3000e approval, feet and level for weighing bars BP series. |
| HR | High resolution model for internal factory use. |
| CCATEX | ATEX certificate for each load cell for the following categories: ATEX II 1G Ex ia IIC T6 (Ta -20÷+40°C) TX (Ta -20÷+65°C) Ga and ATEX II 1D Ex ta IIIC TX°C (Ta -20÷+40°C) TX°C (Ta -20÷+65°C) Da IP65. Complete with manual and ATEX CE CONFORMITY DECLARATIONS (available in EN, DE, FR and IT). |
| JB2QAI | Junction and equalisation box for hazardous areas ATEX, in stainless steel IP66, with 2 + 1 fairleads for connection with up to 2 load cells. Protection modes: ATEX II 2G Ex ib IIC T6 Gb for gases, ATEX II 2D Ex tb IIIC T115°C Db IP65 for dusts. Complete with manual and ATEX CE CONFORMITY DECLARATIONS (available in EN, DE, FR and IT). |
| JB4QA | Junction and equalisation box for hazardous areas ATEX, in ABS IP67, with 4 + 1 fairleads for connection with up to 4 load cells. Protection modes: ATEX II 2G Ex ib IIC T6 Gb for gases, ATEX II 2D Ex tb IIIC T115°C Db IP65 for dusts. Complete with manual and ATEX CE CONFORMITY DECLARATIONS (available in EN, DE, FR and IT). |
| DCATEXMECH | Declaration of ATEX conformity of whole, Ex II 2GD X system with relative whole system label, for mechanical structure with ATEX load cells (each cell must be certified with CCATEX option). ATEX CONFORMITY DECLARATIONS will be supplied in English. |

BPS

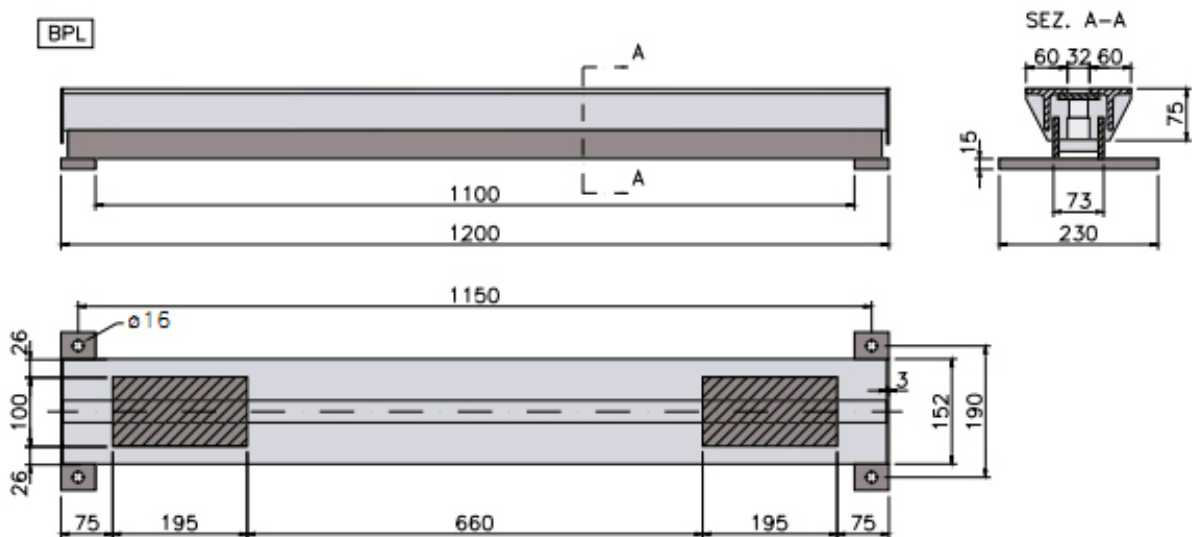


BPM/BPX



| | A | B | C | D | E | F | G | H | I | L | M | N | O | P | Q | R | S | T | U | V | Z |
|------------|-----|----|-----|-----|-----|----|-----|-----|----|-------|-----|-------|-------|-----|-----|----|-----|------|------|-----|----|
| BPM | 520 | 40 | 130 | 600 | 170 | 90 | 105 | 560 | 12 | 182.5 | 160 | 107.5 | 112.5 | 375 | 75 | 70 | 82 | 11.5 | 37.5 | 130 | 10 |
| BPX | 720 | 40 | 130 | 800 | 200 | 90 | 134 | 760 | 12 | 250 | 220 | 148 | 142 | 516 | 102 | 96 | 108 | 13 | 40 | 160 | 10 |

BPL



DIMENSIONS IN MM



Areas which may be perforated



Areas which may not be perforated