

APPLICATION:

High capacity and silos

CAPACITY RANGE:

50t - 100t - 250t - 500t

MATERIAL:

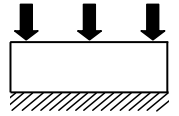
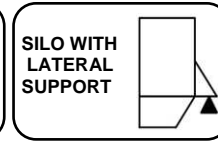
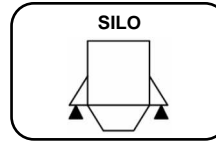
Stainless steel

ENVIRONMENTAL PROTECTION:

IP67

APPROVALS:

According to OIML - R60



TEFLÓN® protects all the internal cables

CHARACTERISTICS

Construction using special steel.
Efficient internal protection against the strong induced currents from lightning.
Mounting compatibility.

APPLICATIONS

The CA model is manufactured to maintain its performance capabilities in external environmental conditions. Its application is the load control in high capacity silos. Also, it substitutes level indicators with higher precision and reliability.

OPTIONS

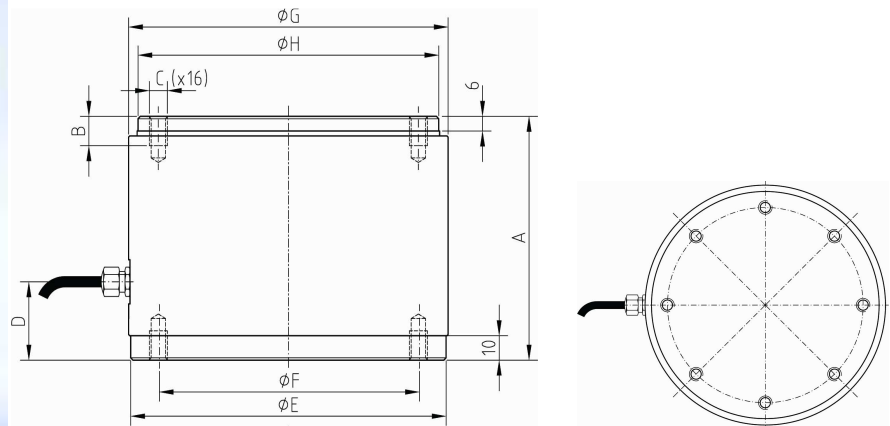
Dimensions, specifications and capacities for any application complemented with finite element studies about performance. Length of the cable is optional. Consult for special requirements. ATEX option EC-Type examination certificate CEC 11 ATEX 040 X according directive 94/9/EC

II 1G EEExia IIC T6 (Ta-20÷+40°C)
TX (Ta-20÷+65°C)

II 1D tD A20 TX°C (Ta-20÷+40°C)
TX°C (Ta-20÷+65°C)

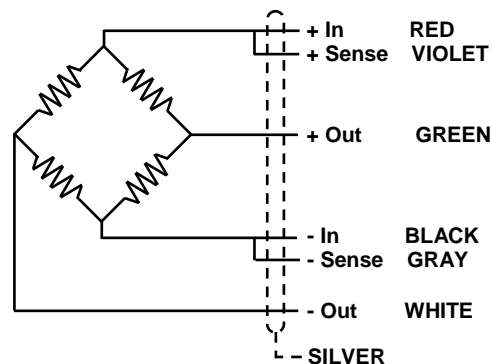
For more information look up the EC-type examination certificate, and documentation.

Consult for special requirements.



t	A	B	C	Par kgfxm	D	E	F	G	H
50/100/ 250	100	12	M8 (x8)	2,55	32	140	115	141,3	133
500	100	18	M12 (x12)	8,8	32	168	115	160,5	168

Dimensions in mm



GENERAL TECHNICAL CHARACTERISTICS FOR $g= 9,8031 \text{ m/ s}^2$

		UNITS
OIML Class	D 0,5	
Divisions n_{LC}	500	
Minimum Dead load E_{min}	0	kg
$Z= E_{max} / 2DR$	500	
$Y= E_{max} / V_{min}$	5000	
Rated Capacity E_{max}	50000 - 100000 - 250000 - 500000	kg
Rated Sensitivity C	$2 \pm 1 \%$	mV/V
Rated Input Voltage	10	V dc
Input Voltage Range	5...15	V ac/dc
Input Resistance R_{LC}	1050 ± 20	Ω
Output Resistance	1050 ± 20	Ω
Zero Balance	± 2	% Emax
Insulation Resistance at 50 V DC	> 5000	M Ω
Service Overload	> 150	% Emax
Overload Limit	> 300	% Emax
Temperature Range : Compensated	- 10 ... 40	$^{\circ}\text{C}$
: Operating	- 30 ... 85	$^{\circ}\text{C}$
: Storage	- 30 ... 90	$^{\circ}\text{C}$
Max. Nonlinearity	0,15	% Emax
Max. Hysteresis	0,15	% Emax
Max. No repeatability	0,1	% Emax
M Max. Creep in 4 hours	0,05	% Emax
Max. Zero Recovery Test in 1/2 hour	0,03	% Emax
Max Temperature effect : On Sensitivity	0,0013	% Emax / $^{\circ}\text{C}$
: On Zero	0,0014	% Emax / $^{\circ}\text{C}$
Cable Length	15	m
Environmental Protection	IP67 - DIN 40050	



Ref: 491041 / 100 & 200t
Ref: 491042 / 500t