

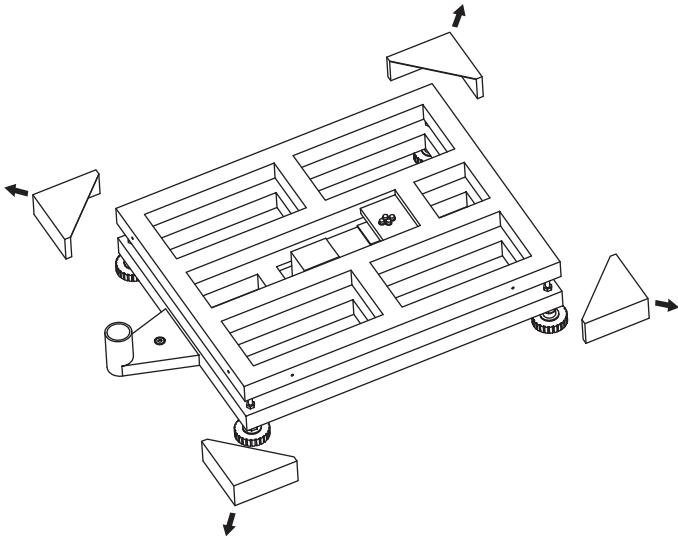


DEFENDER™ 2000 SERIES SCALES AND F-SERIES BASES

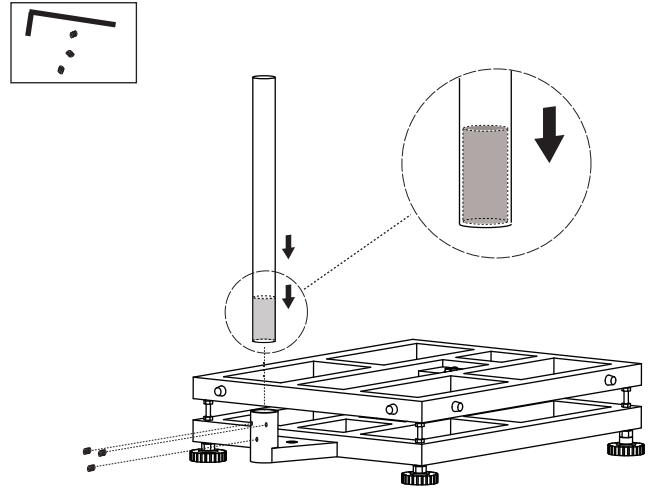
Assembly Instructions

(Refer to Instruction Manual for operating instructions)

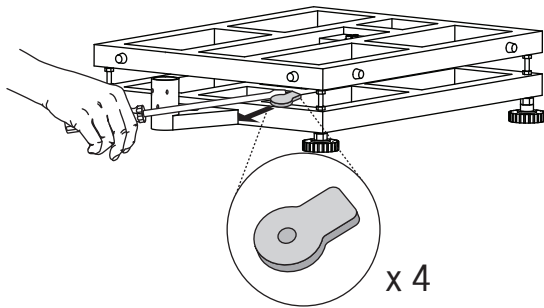
1 Remove 4 corner protection inserts.



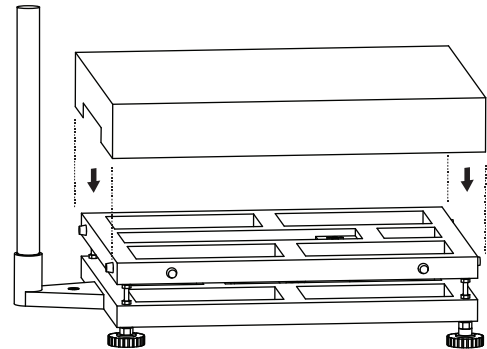
4 Install Column.



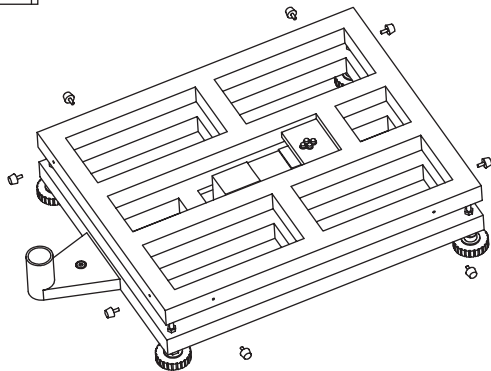
2 Remove Load Cell protection bolt and nut.



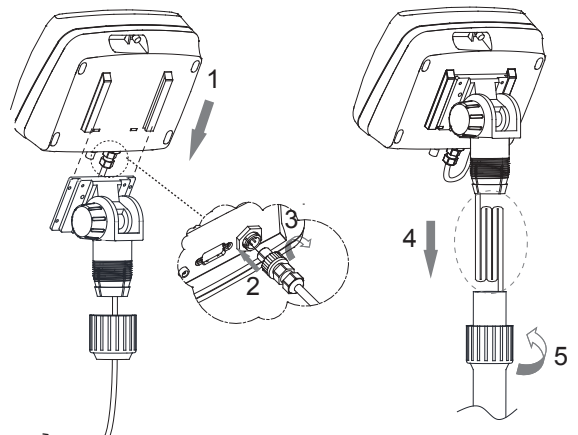
5 Install pan.



3 Install 8 side bumpers.



6 For complete Scales: Install Indicator onto Column.



Note: The T24PE Indicator is used in these instructions.



* 3 0 1 1 1 4 2 7 *